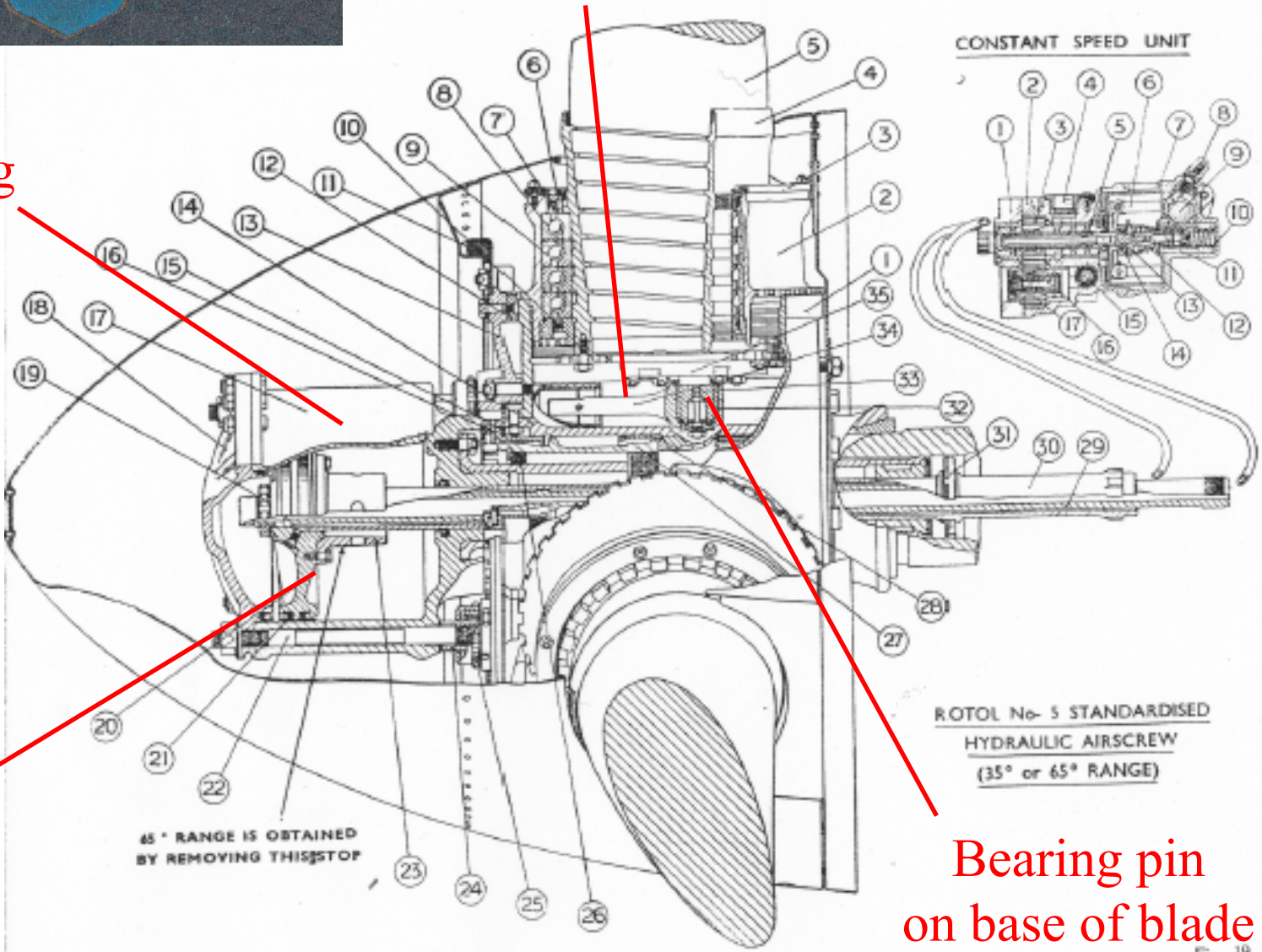




Tie rod from cylinder to blade root



CONSTANT SPEED UNIT



Translating cylinder

Hub:
42 lbs.

Stationary piston

Bearing pin on base of blade

TBO: 960 hours

Fig. 19

Rotol Props

Hawker Sea Fury
Bristol Centaurus
(12 ft. 9 in. diameter)



Supermarine
Spitfire Mk XIV
Rolls-Royce Griffon
(10 ft. 5 in. diameter)

