

WRIGHT AERONAUTICAL ENGINE
MODEL P-2 (3RD REVISION) CYCLONE
13705 REDUCTION GEAR ASSEMBLY
(2 TO 1 RATIO)
J RIEND 04FEB25

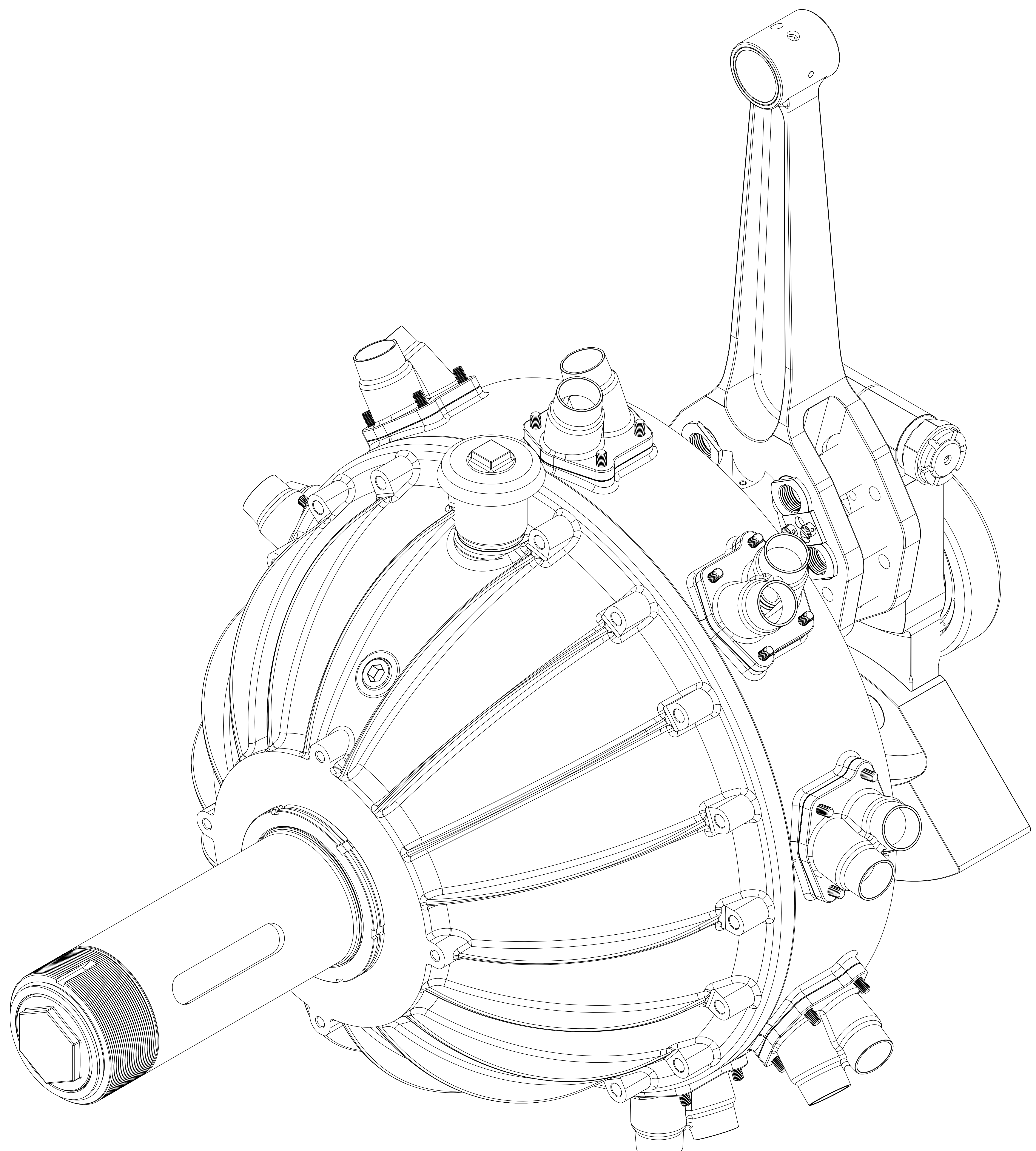
SECTION A-A

8 7 6 5 4 3 2 1

8 7 6 5 4 3 2 1

H
G
F
E
D
C
B
A

H
G
F
E
D
C
B
A



**WRIGHT AERONAUTICAL ENGINE
MODEL P-2 (3RD REVISION) CYCLONE
13705 REDUCTION GEAR ASSEMBLY
(2 TO 1 RATIO)
J RIEND 04FEB25**