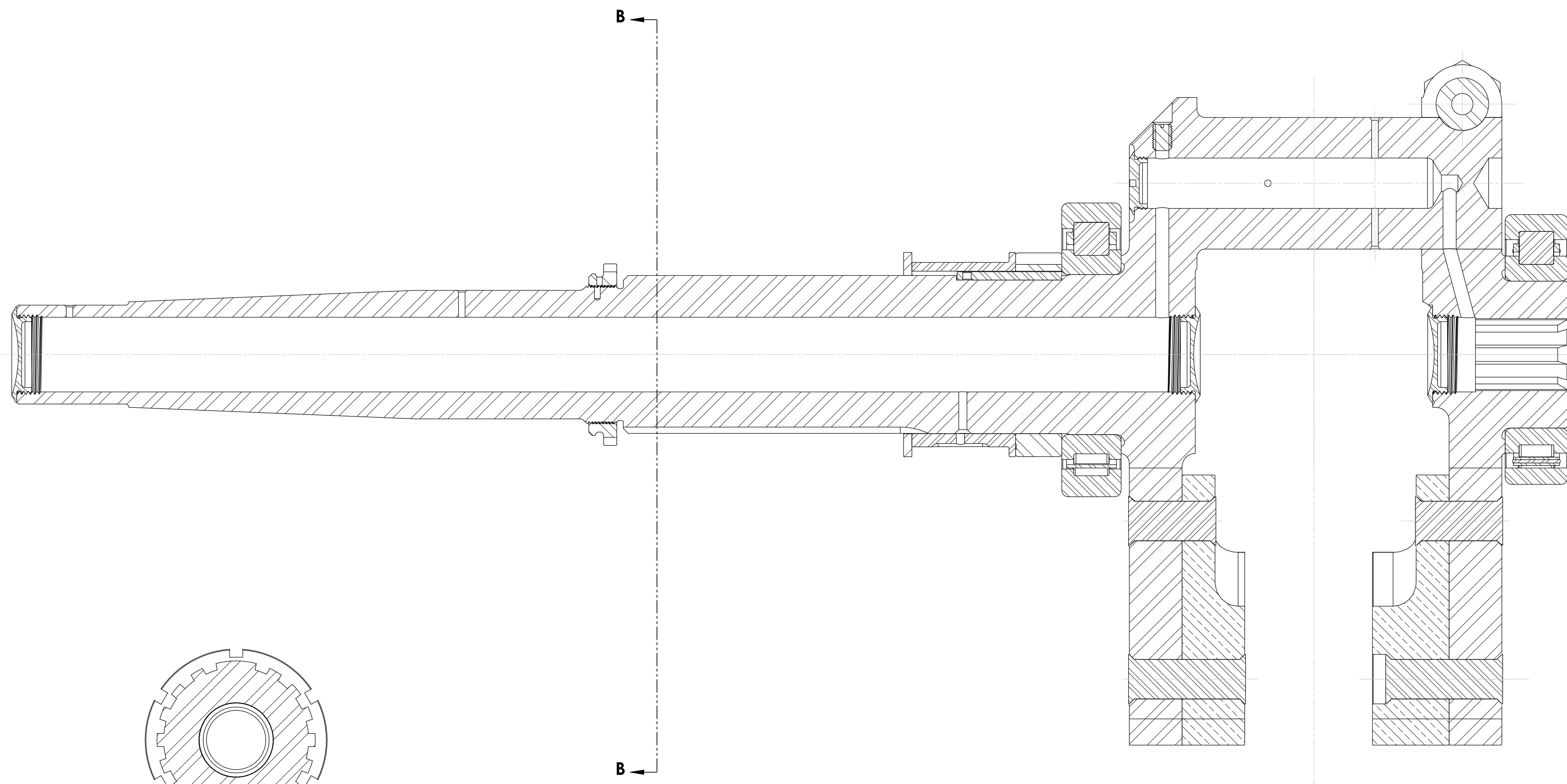
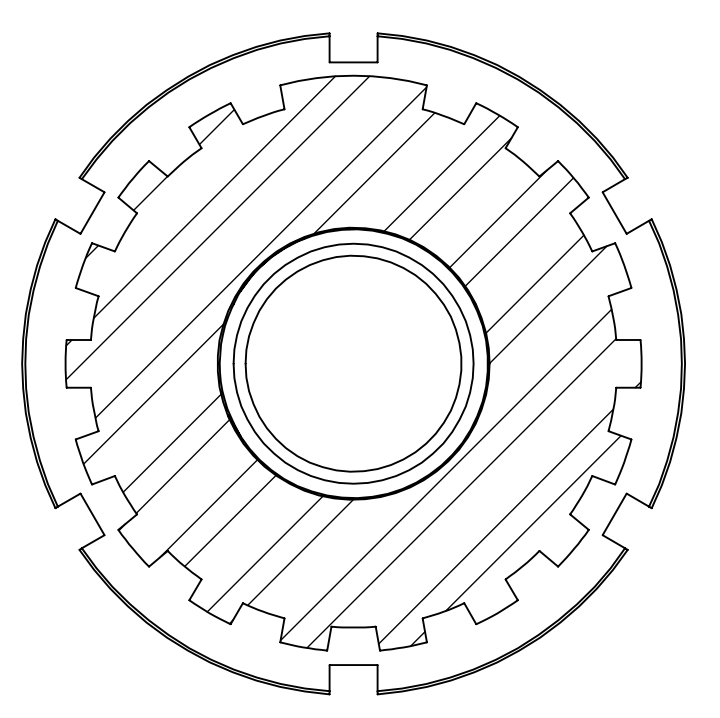


8 7 6 5 4 3 2 1

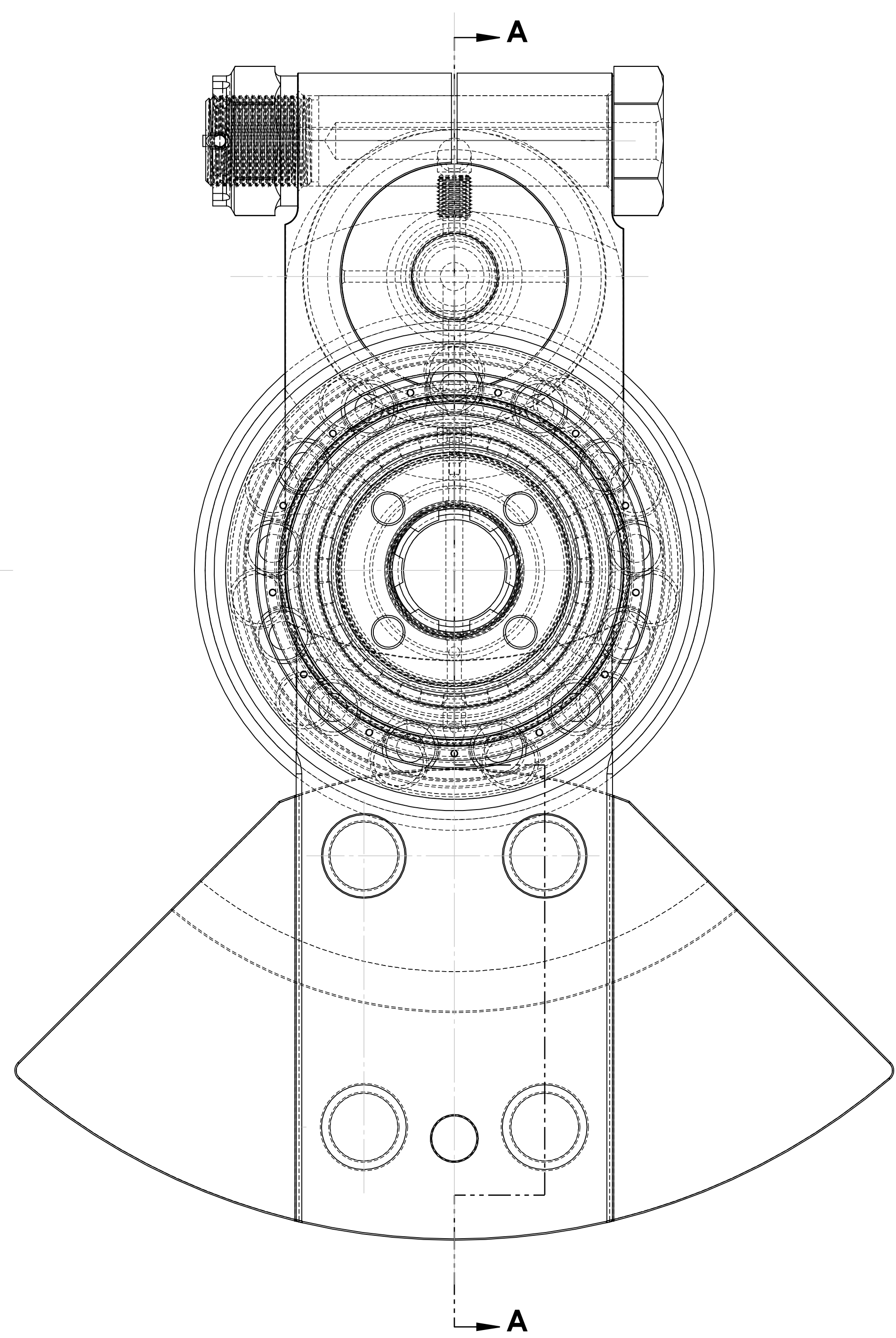
H  
G  
F  
E  
D  
C  
B  
A



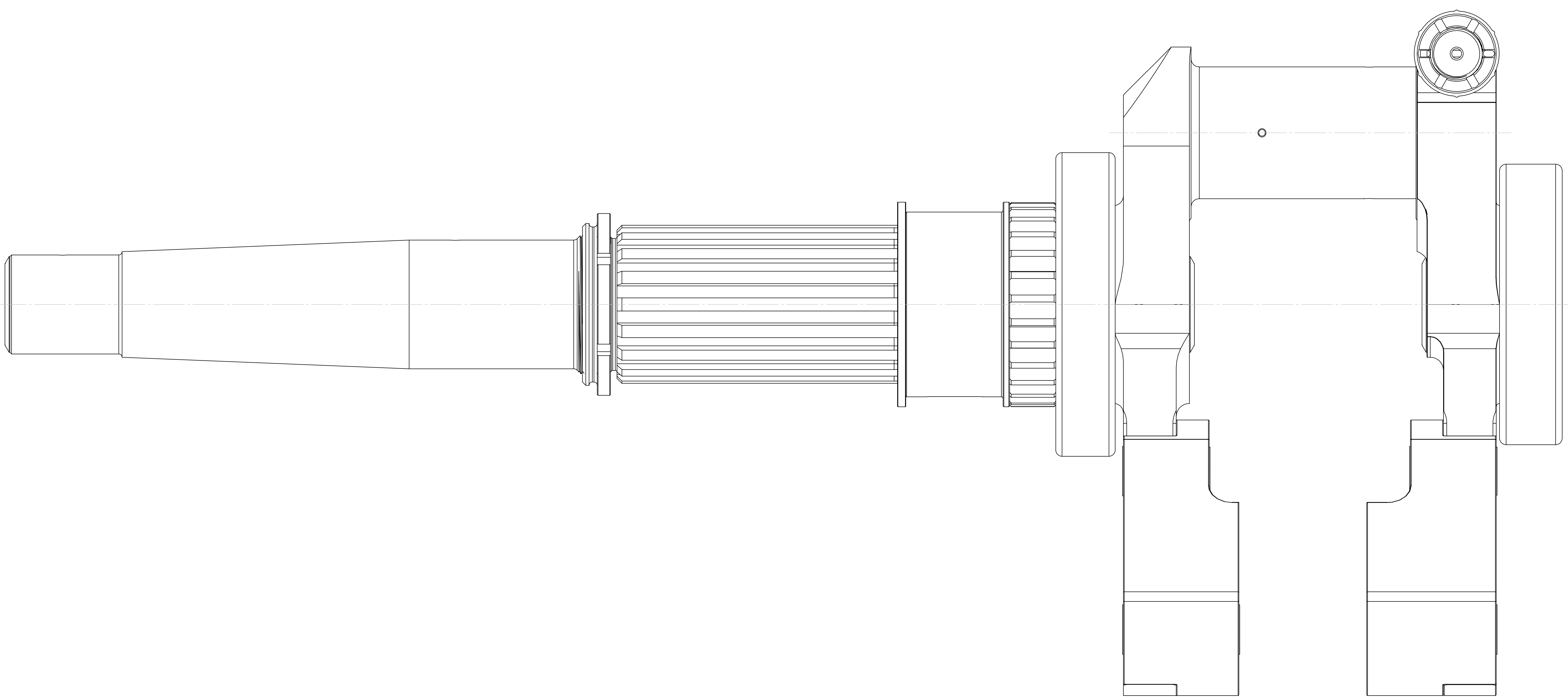
SECTION A-A



SECTION B-B

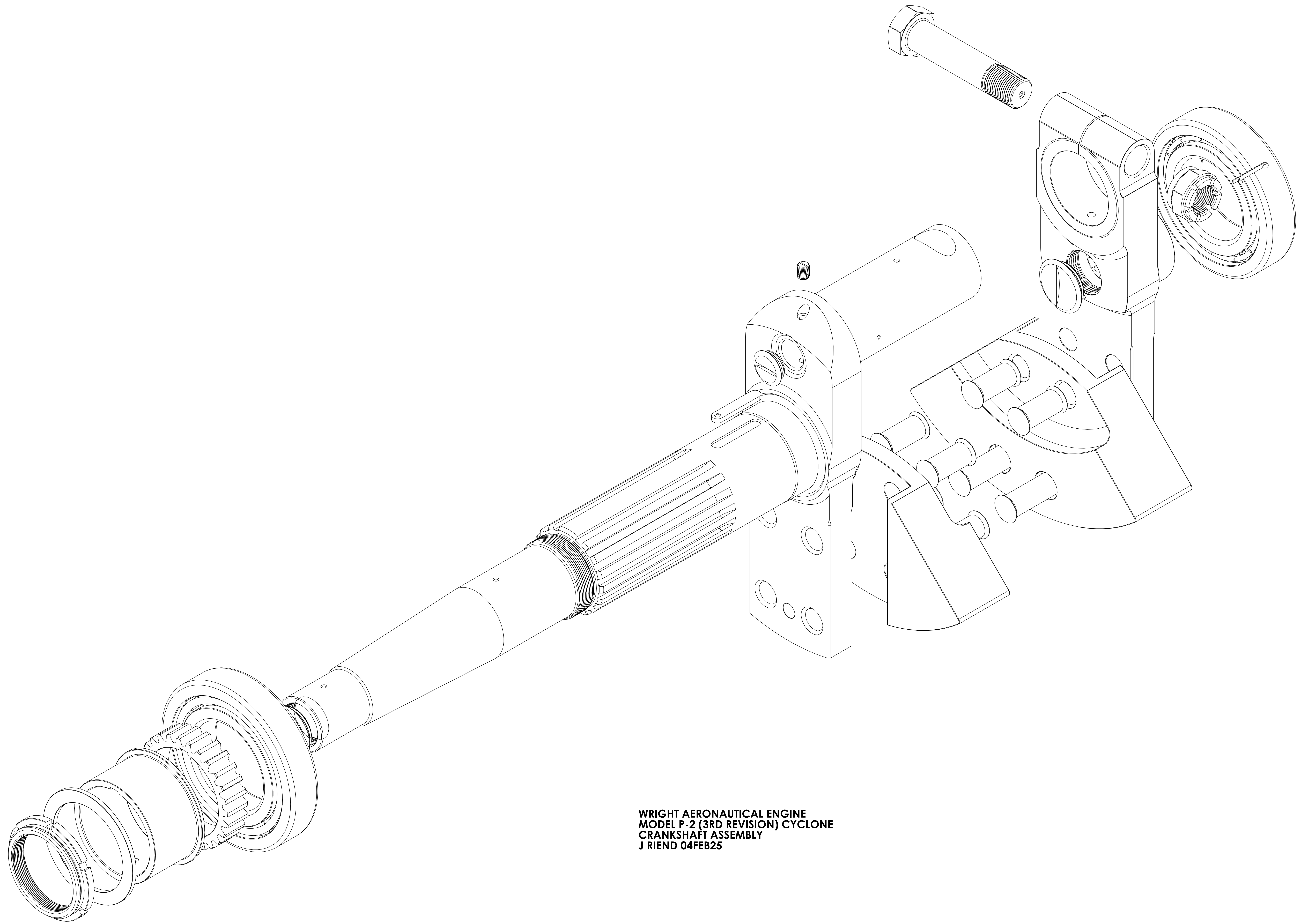


A



WRIGHT AERONAUTICAL ENGINE  
 MODEL P-2 (3RD REVISION) CYCLONE  
 CRANKSHAFT ASSEMBLY  
 J RIEND 04FEB25

8 7 6 5 4 3 2 1



WRIGHT AERONAUTICAL ENGINE  
MODEL P-2 (3RD REVISION) CYCLONE  
CRANKSHAFT ASSEMBLY  
J RIEND 04FEB25