

8

7

6

5

4

3

2

1

D

D

C

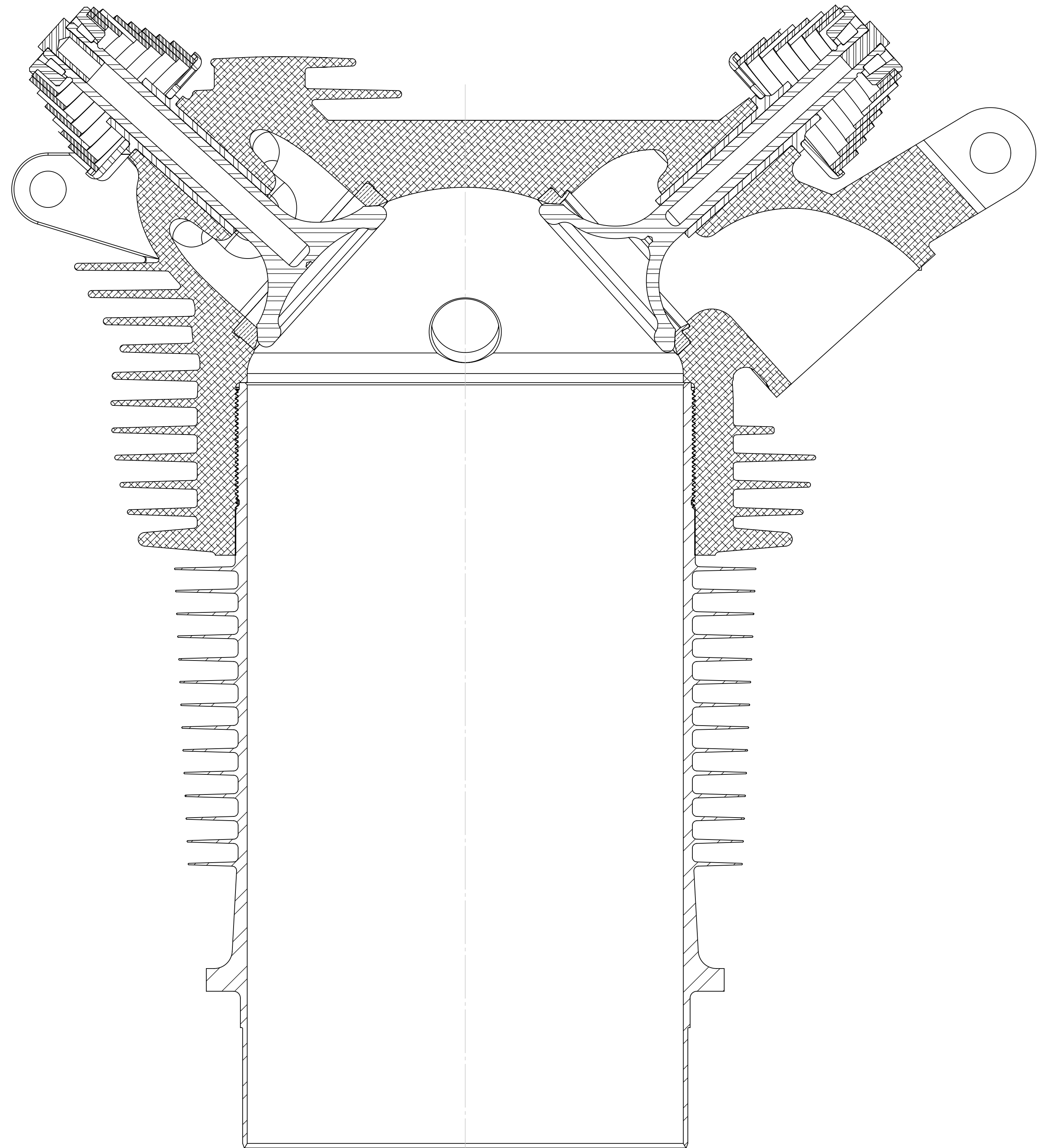
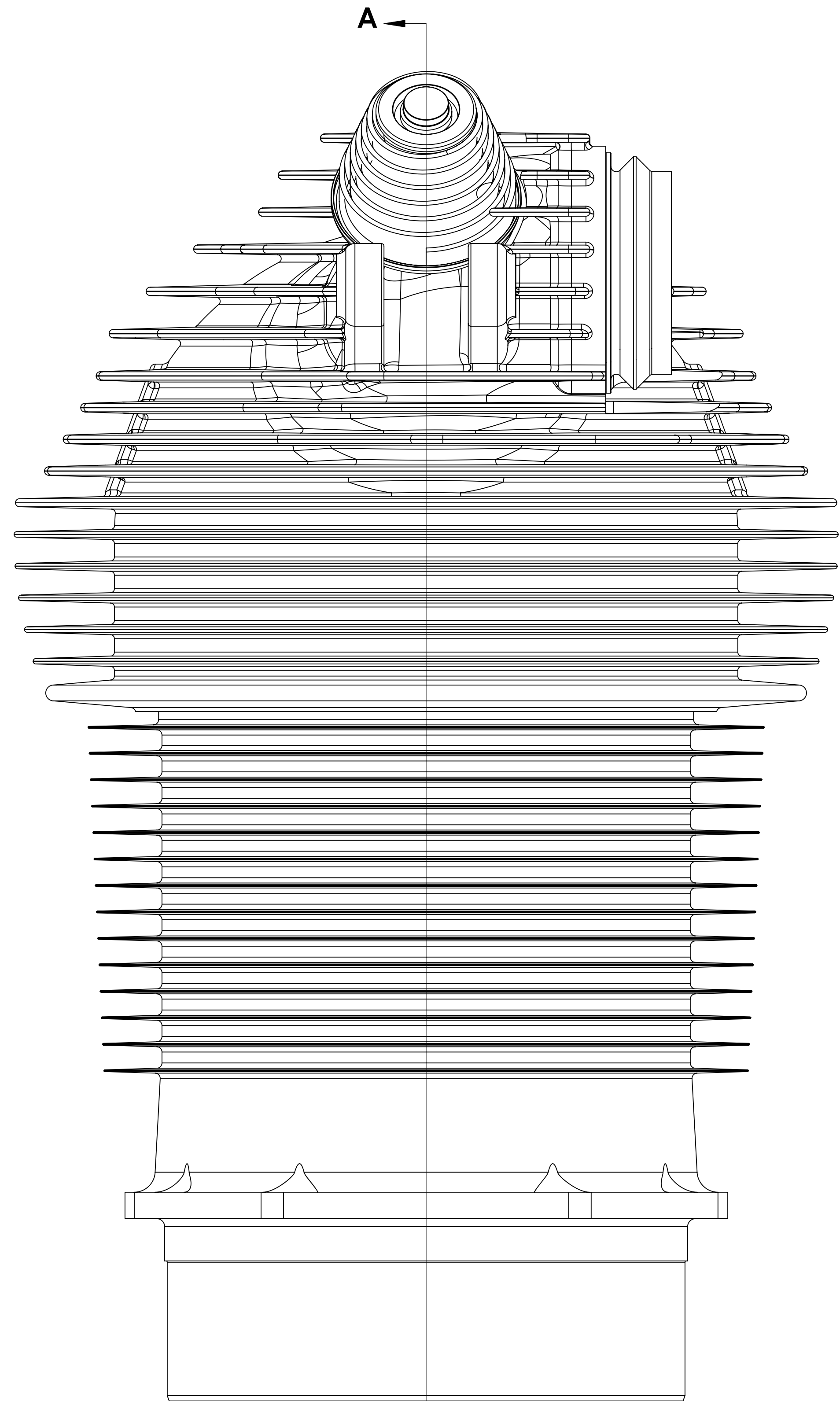
C

B

B

A

A



Wright Aviation Engine
 Model P-1 "Cyclone"
 Cylinder Head & Sleeve Assembly.
 J. Riend 17mar24

SECTION A-A

8

7

6

5

4

3

2

1