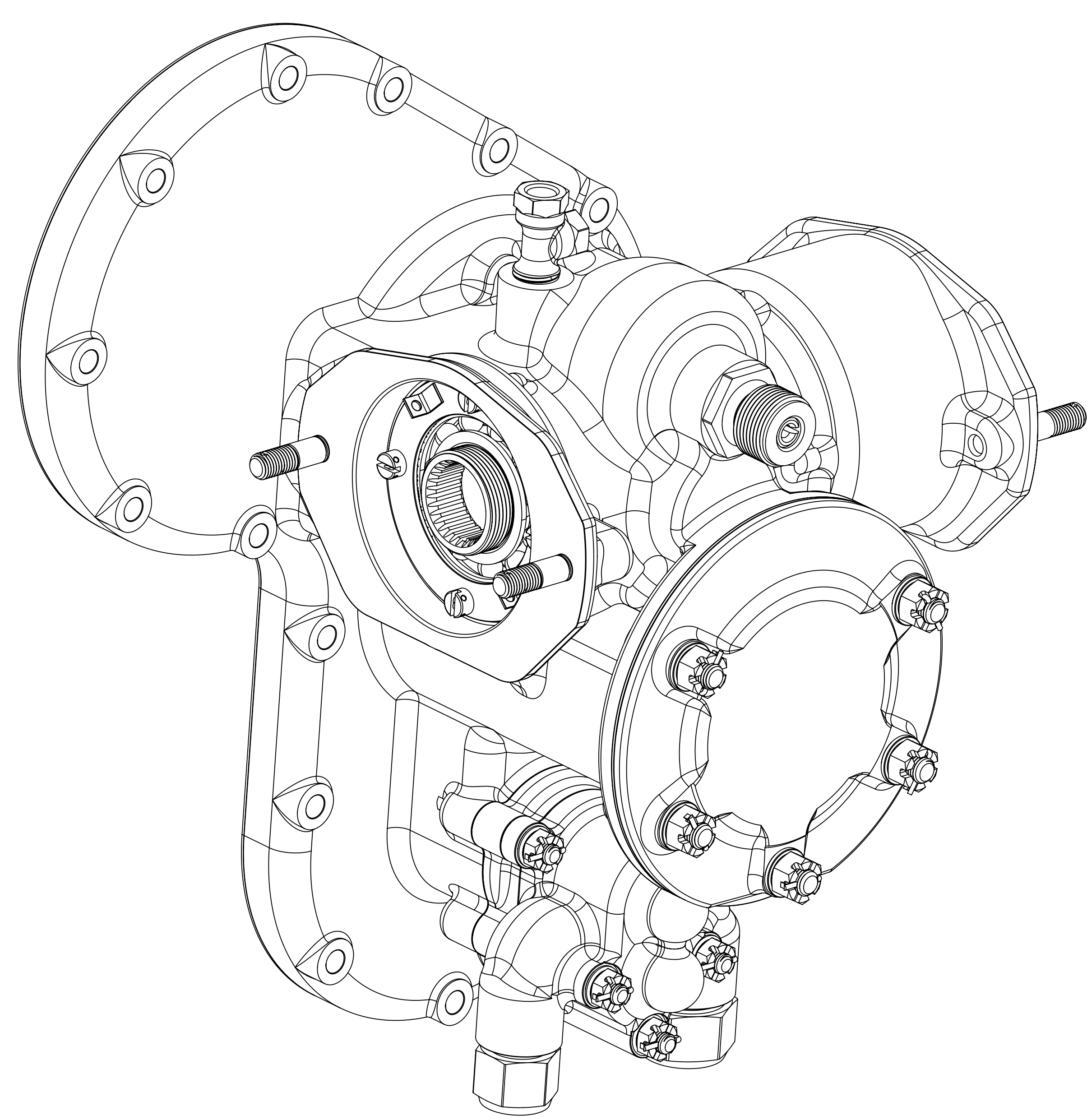
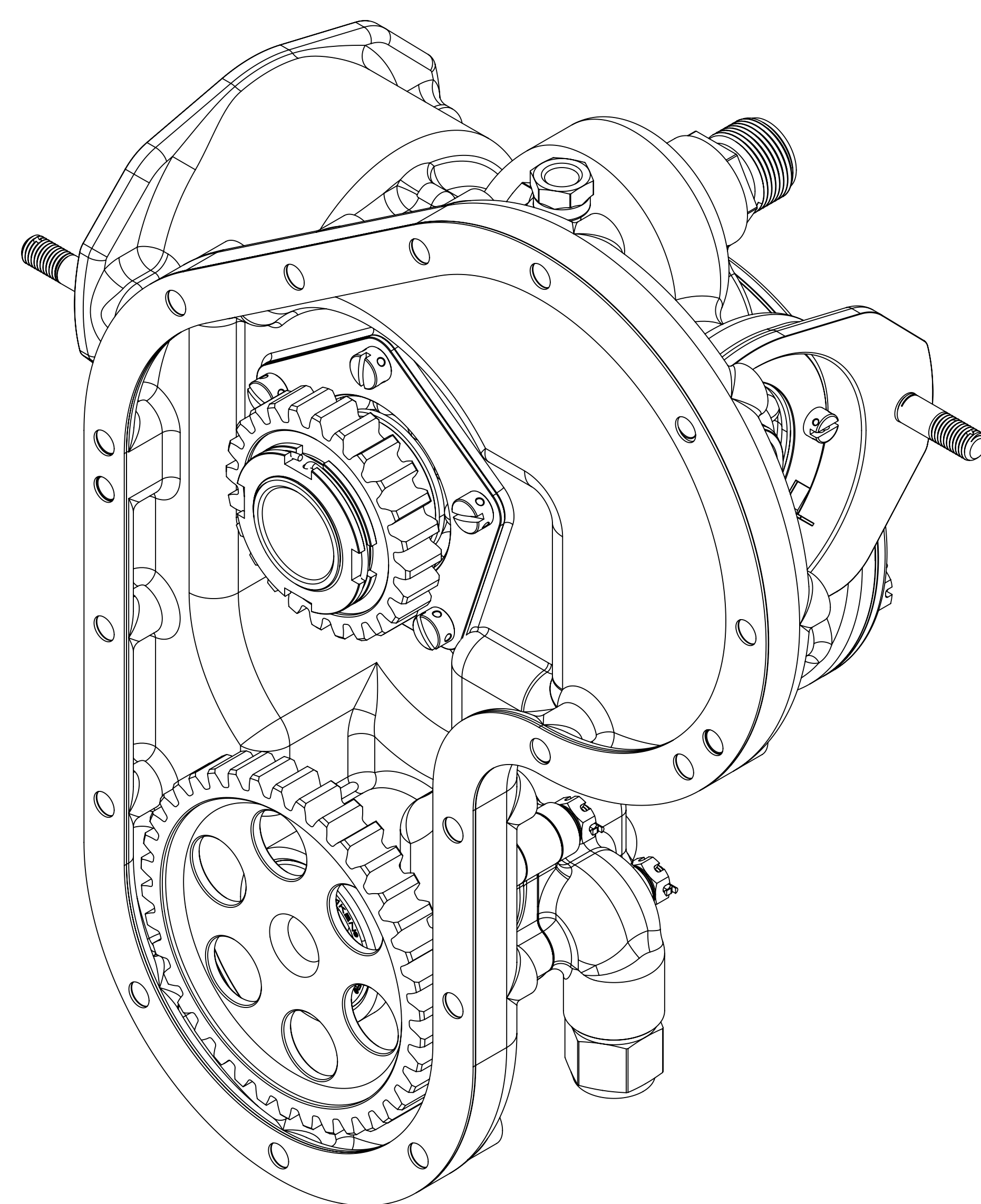
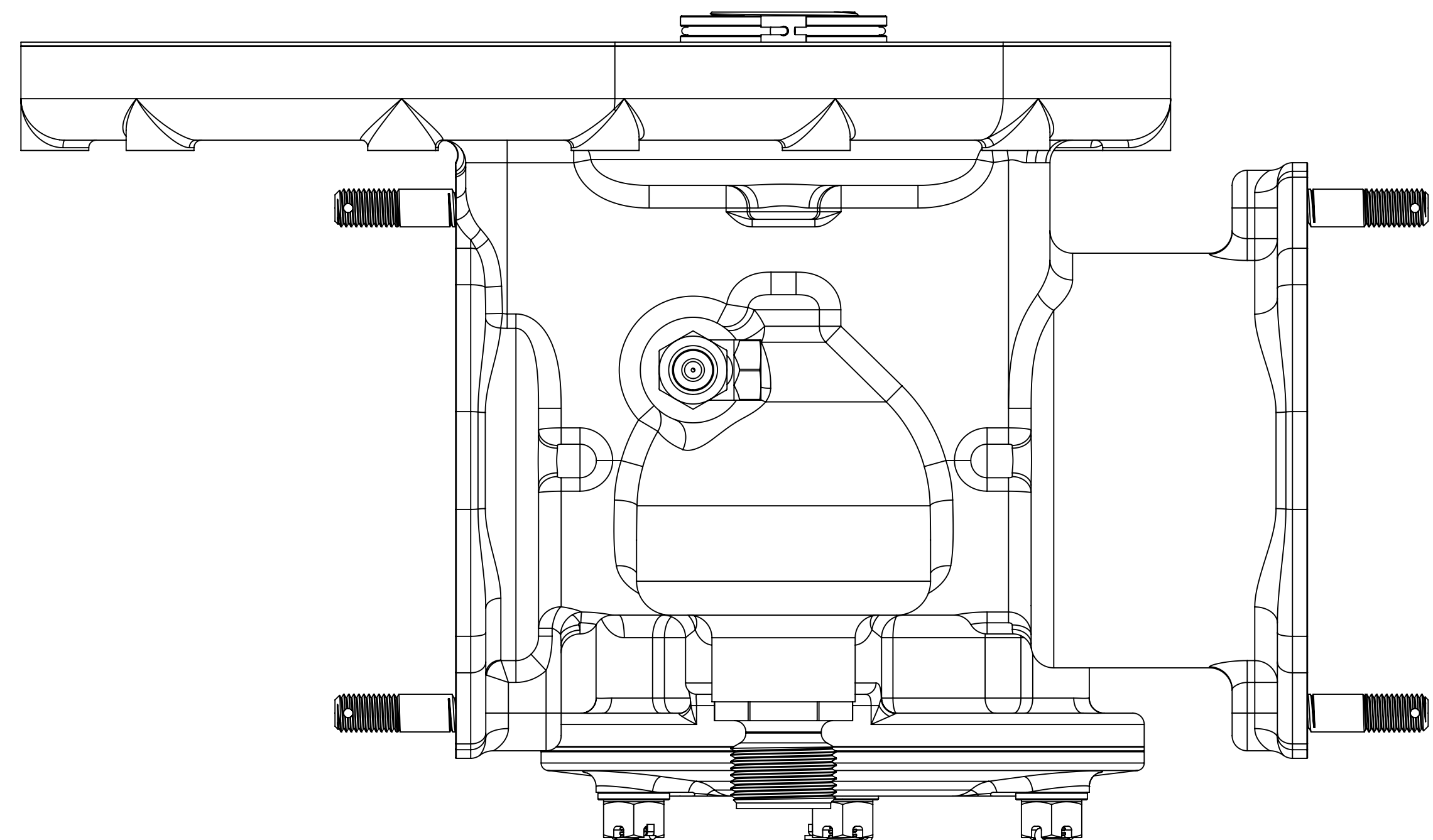
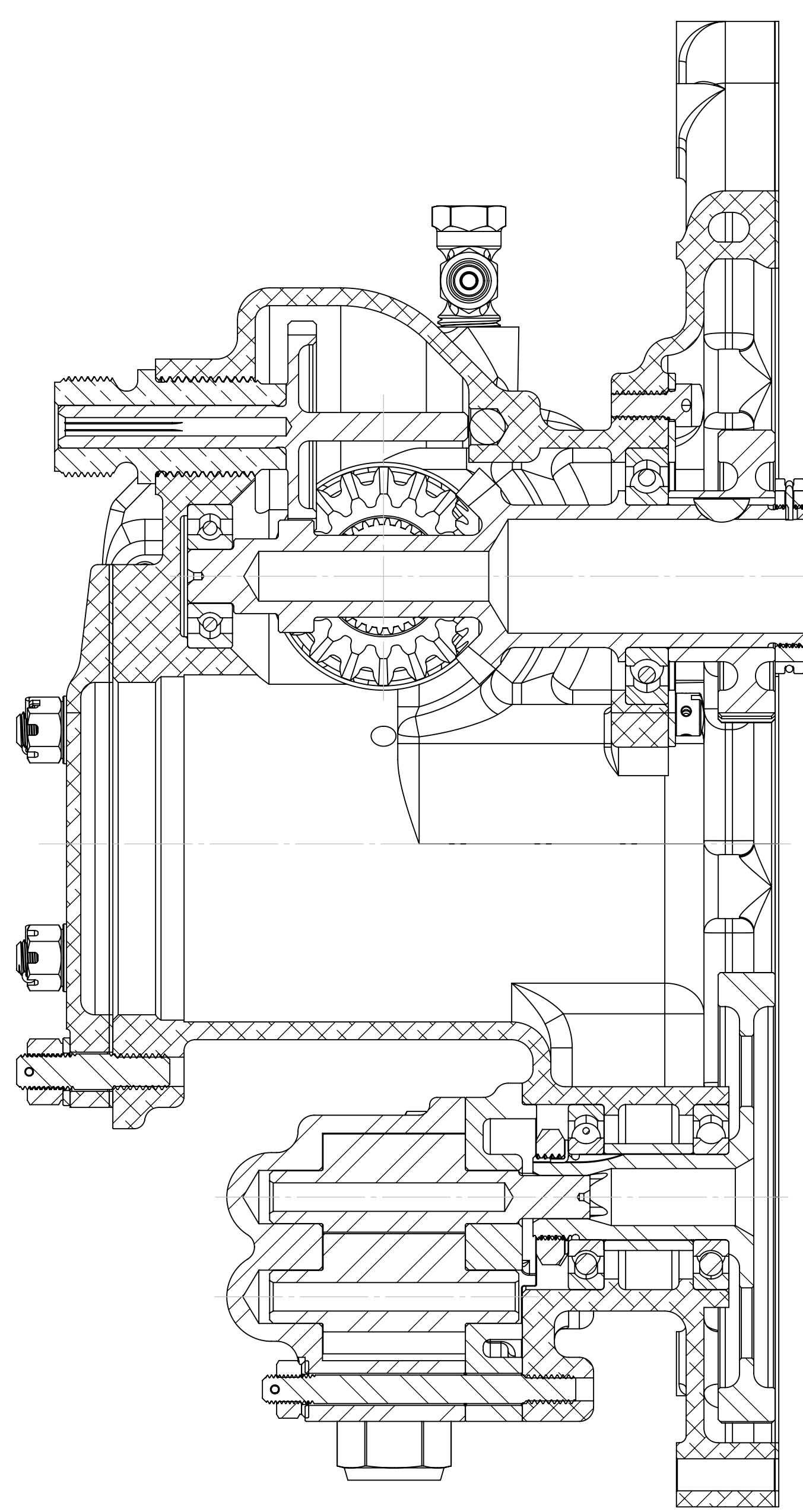
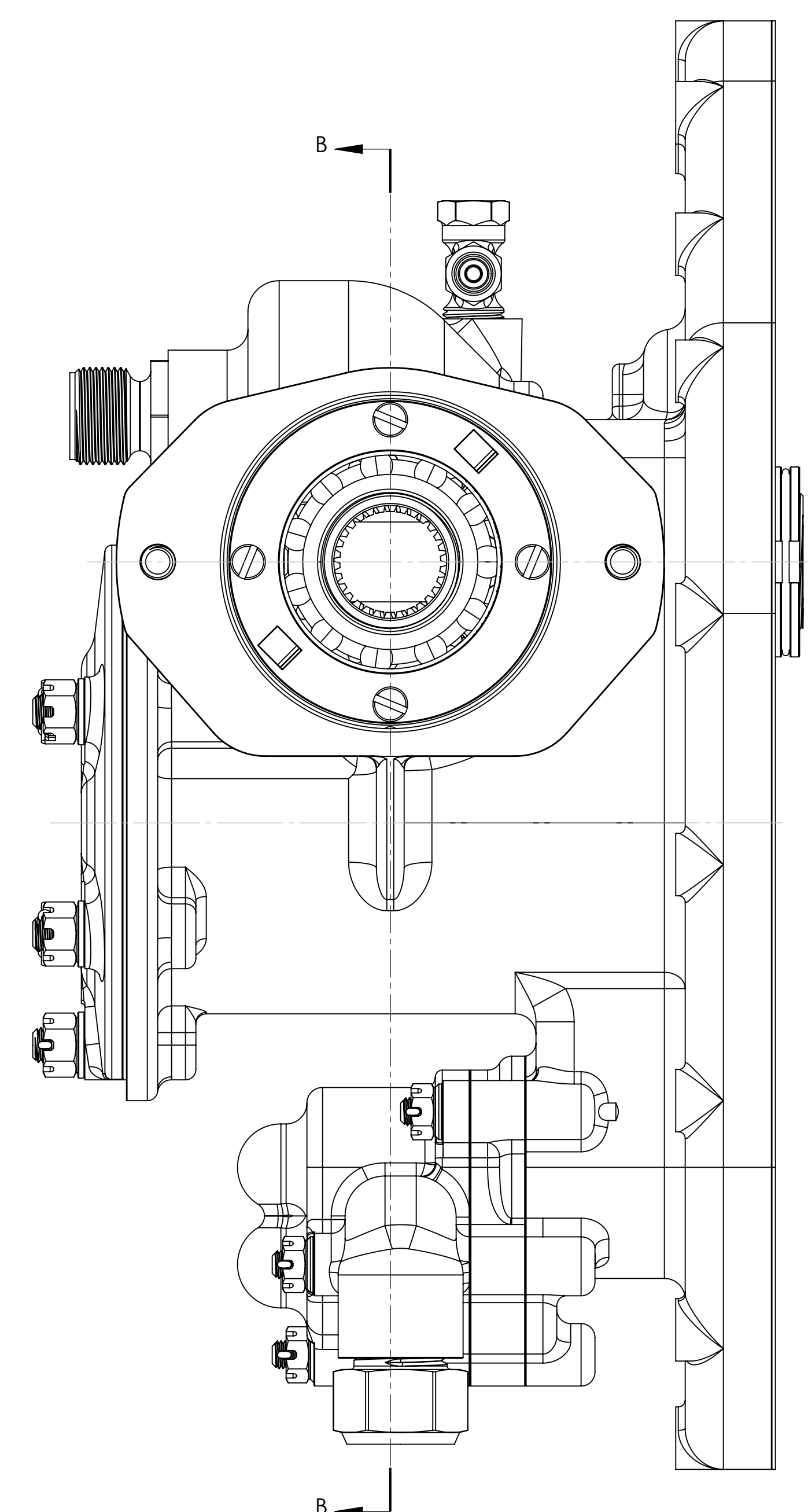
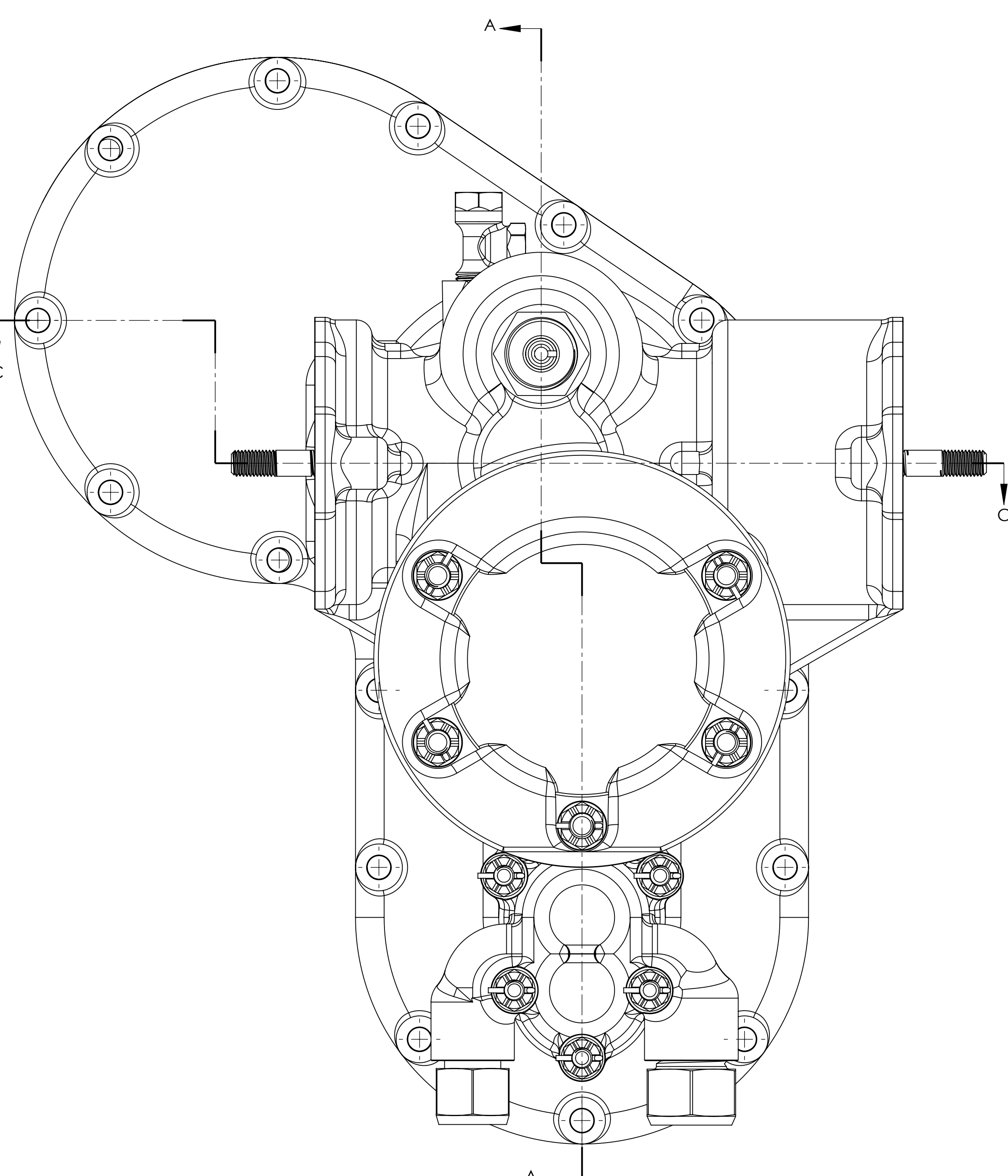


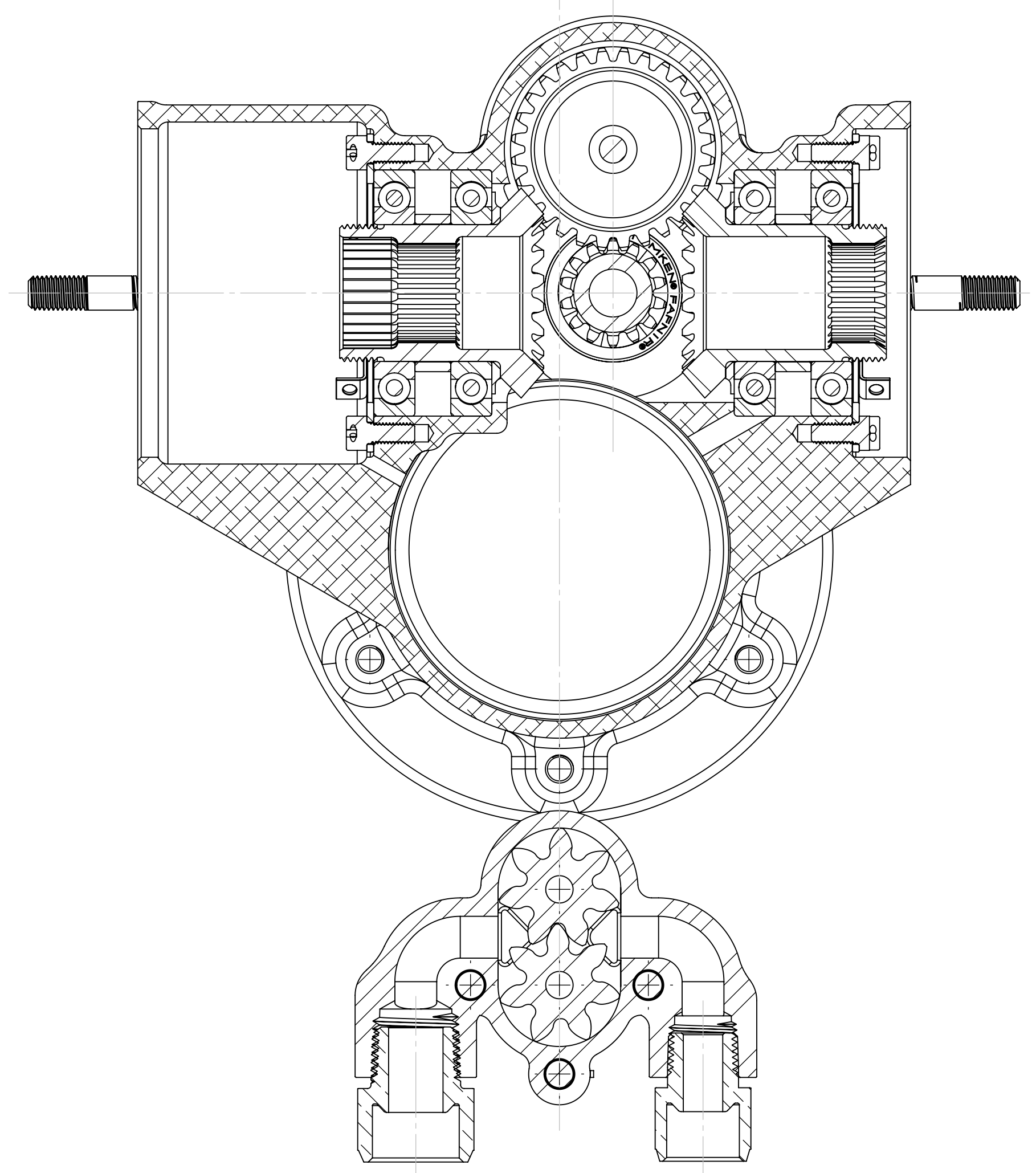
SECTION C-C



Wright L-320 Gipsy
 Accessory Gear Drive Assembly
 J Riend 10may23



SECTION A-A



SECTION B-B