

8

7

6

5

4

3

2

1

H

H

F

F

G

G

E

E

F

F

D

D

E

E

D

D

C

C

C

C

B

B

B

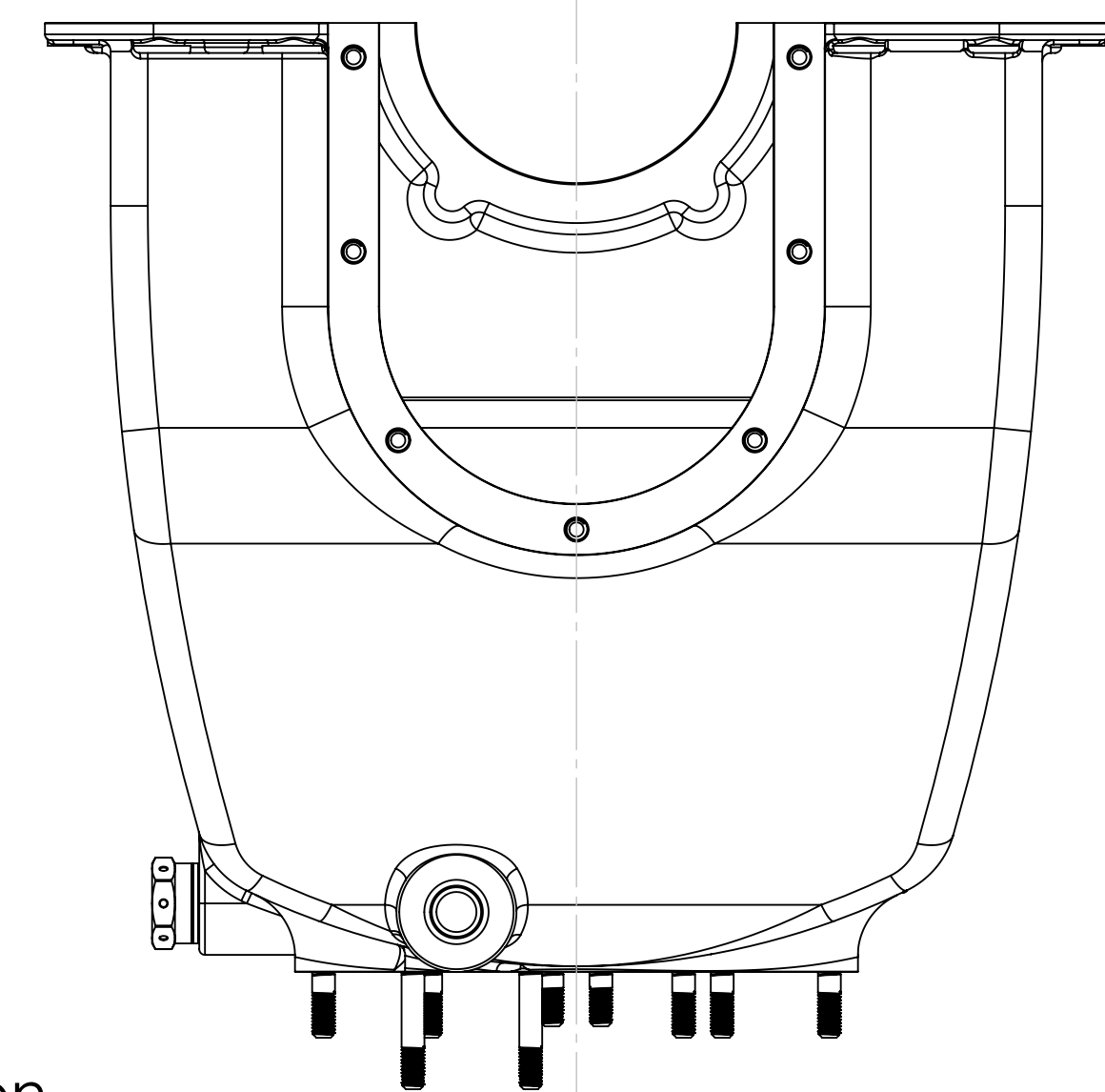
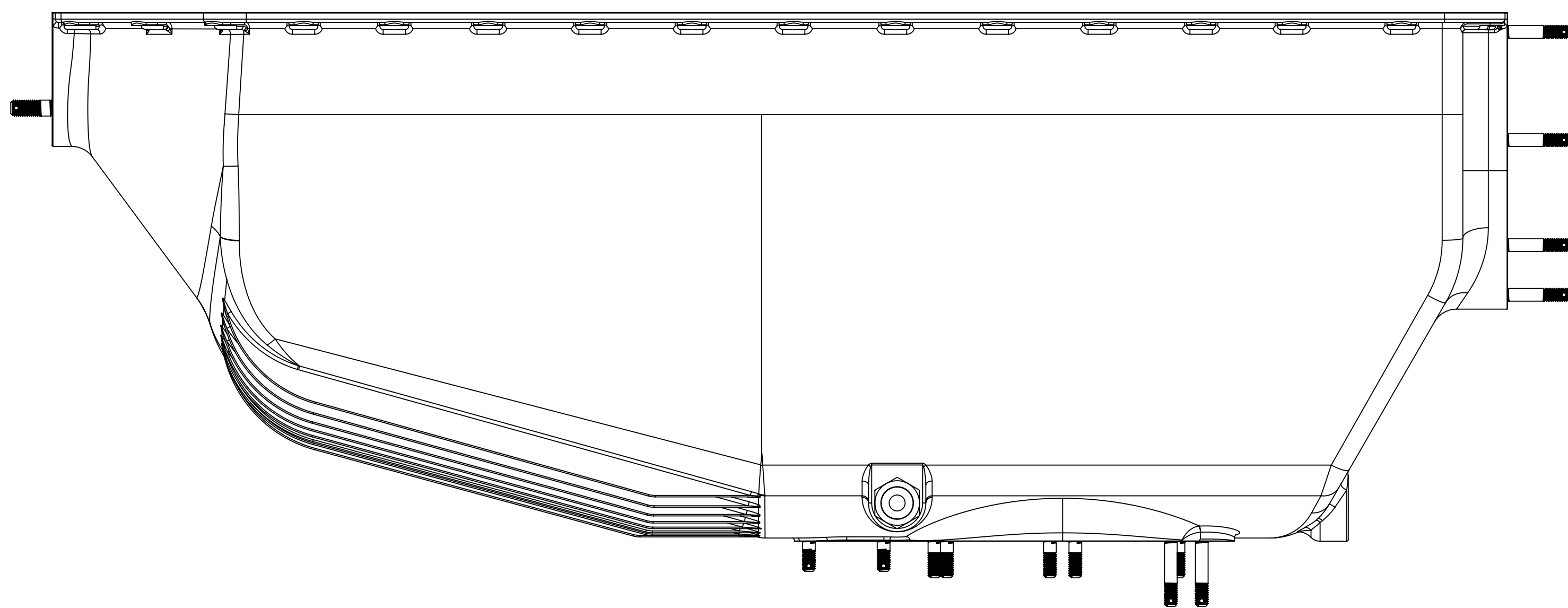
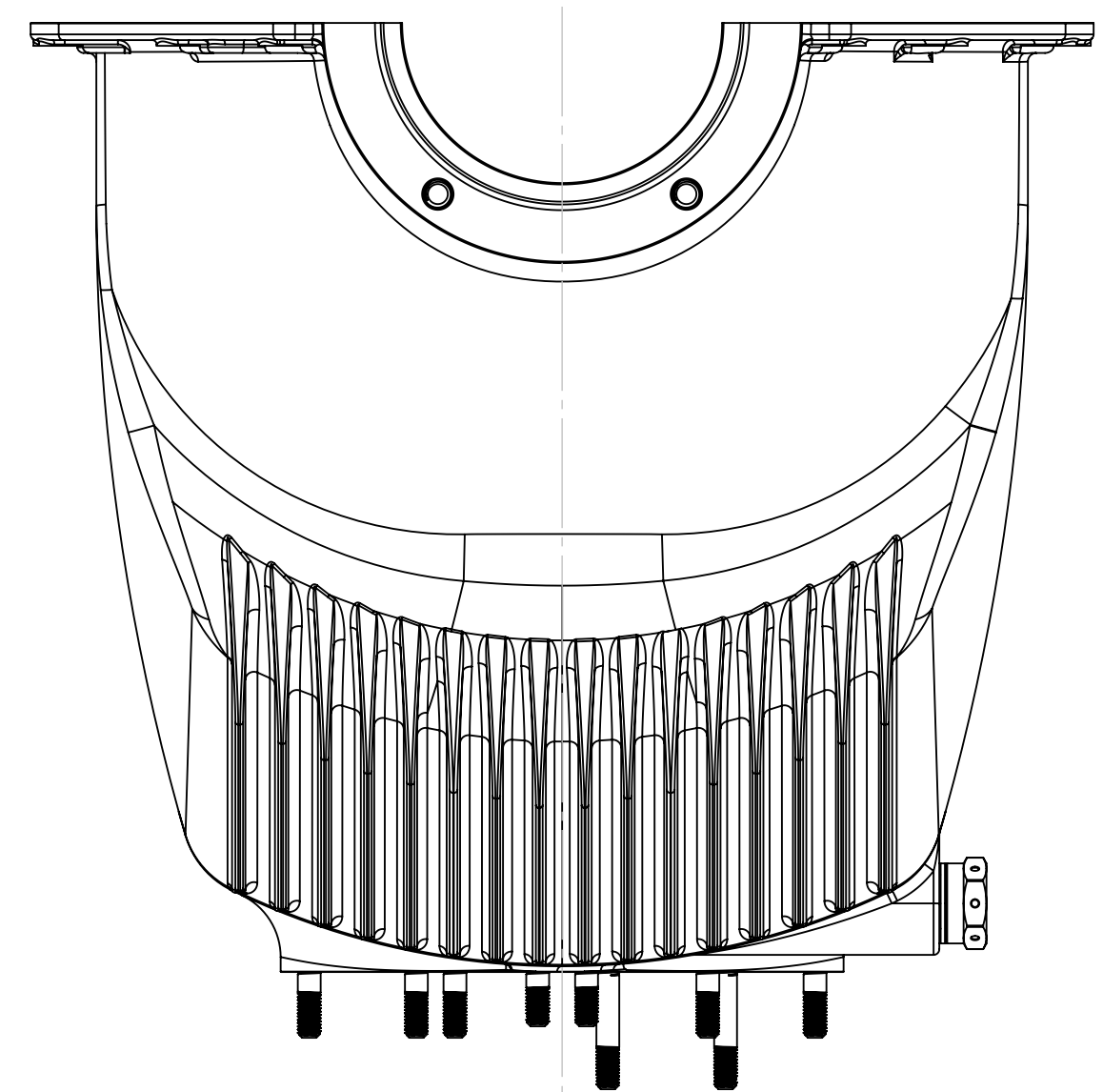
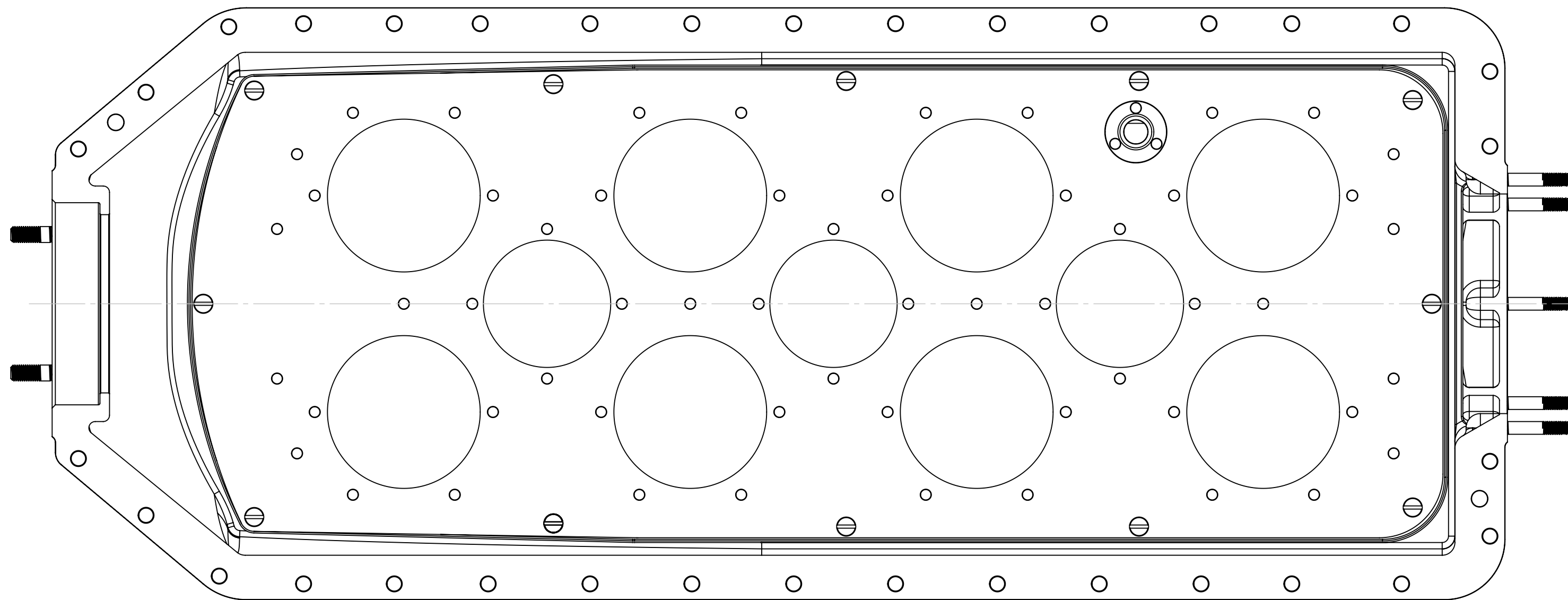
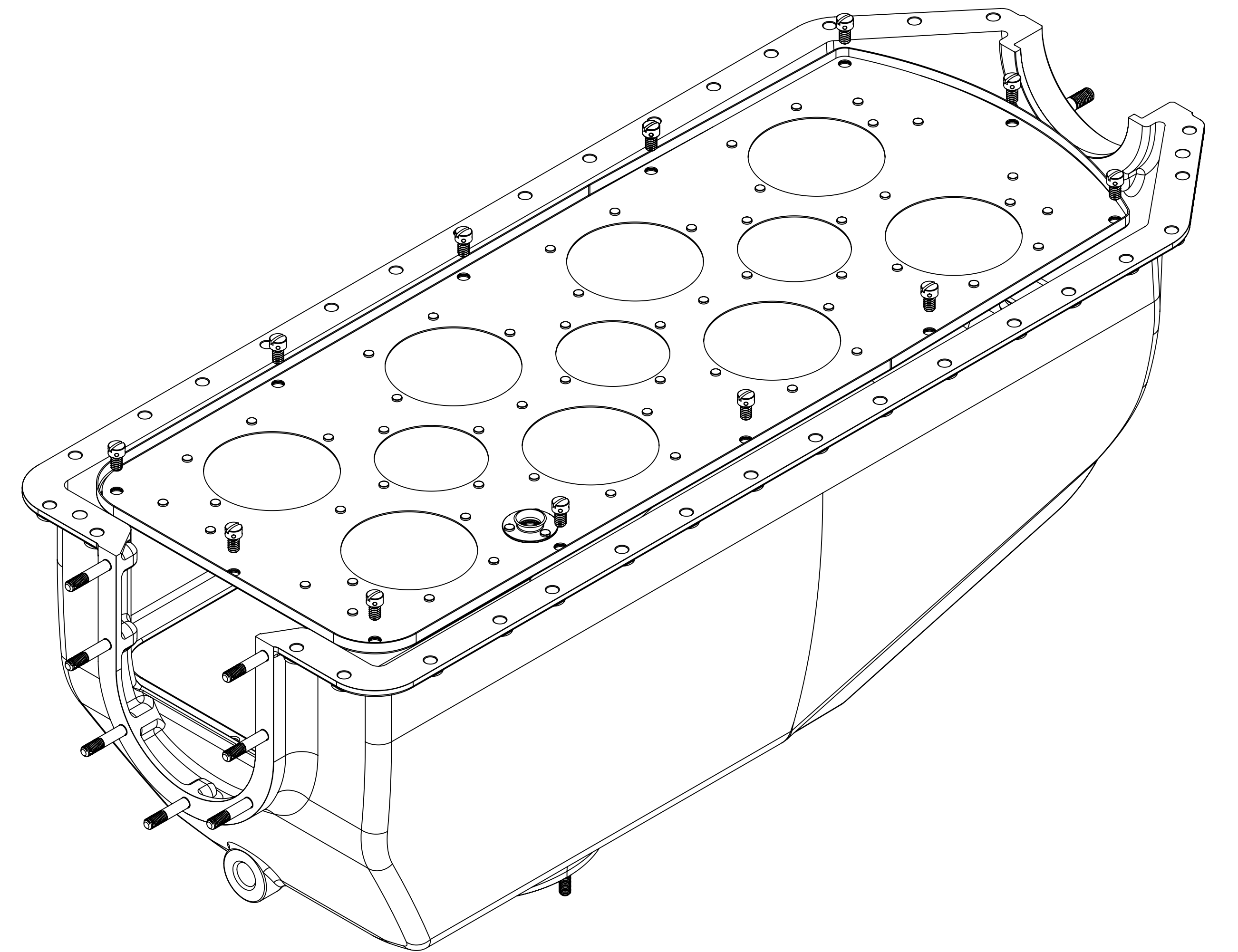
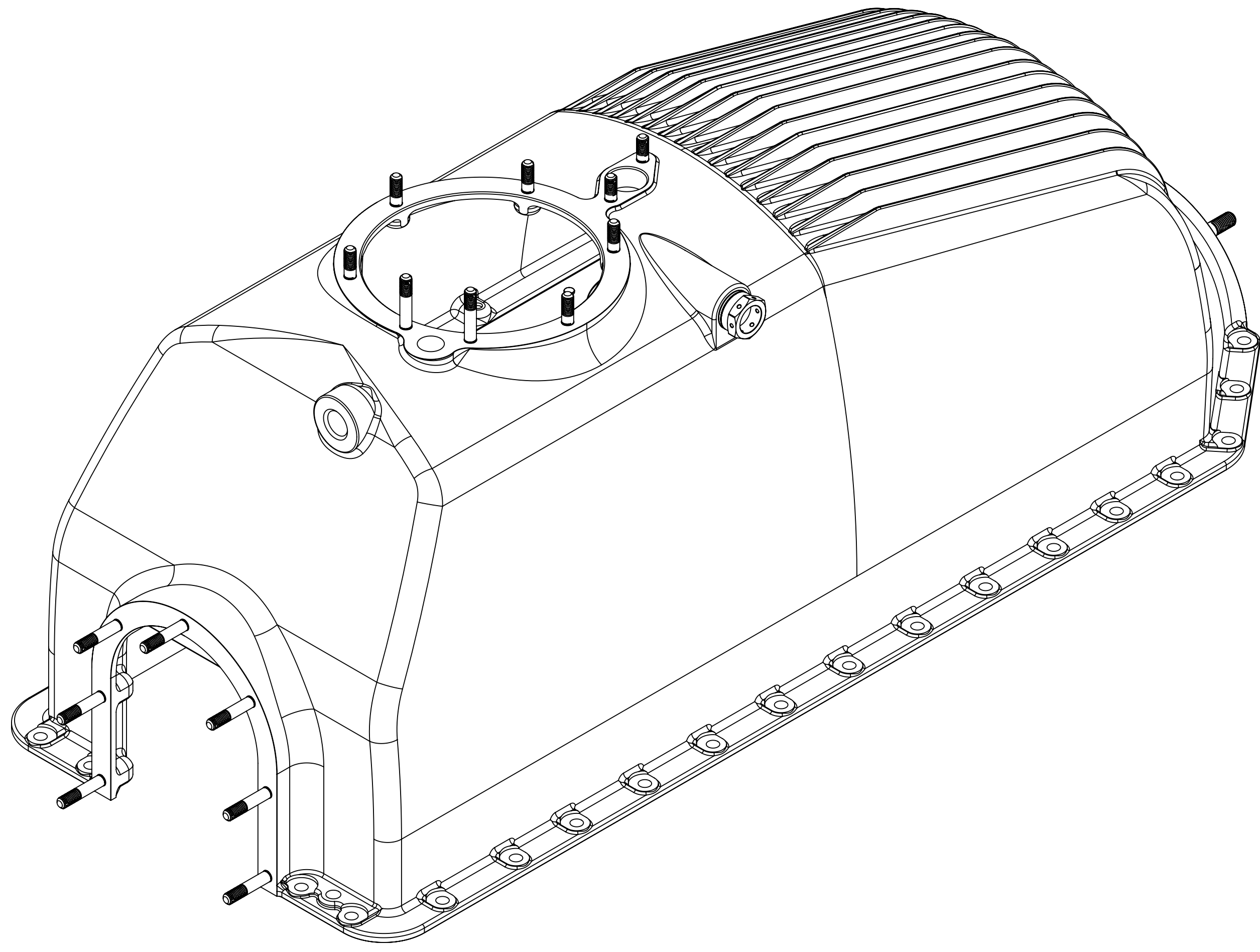
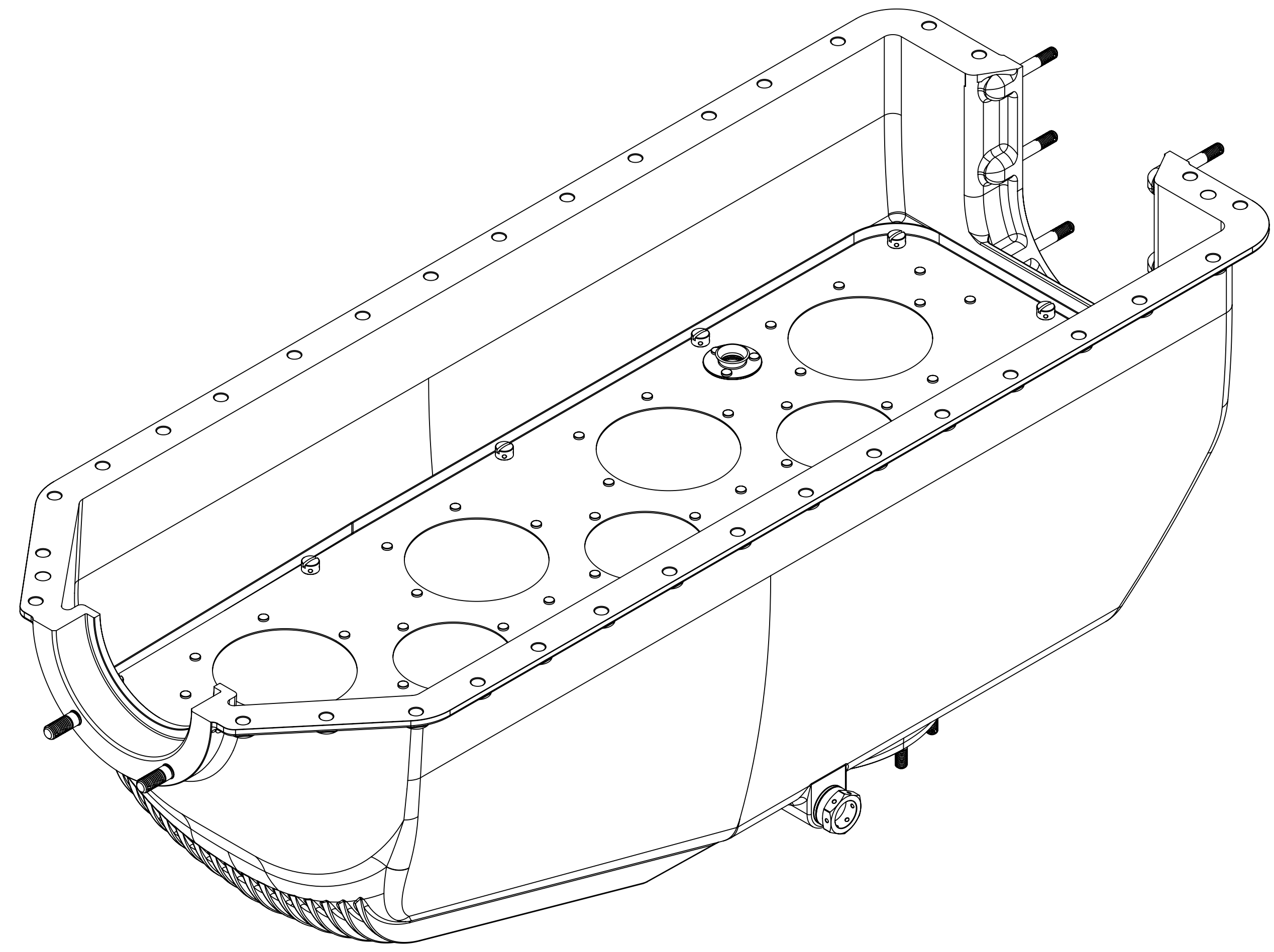
B

A

A

A

A



Wright L-320 Gipsy  
 90629 Crankcase Lower Section  
 Studding Assy  
 J Riend 05jun23

8

7

6

5

4

3

2

1