

4

3

2

1

D

D

C

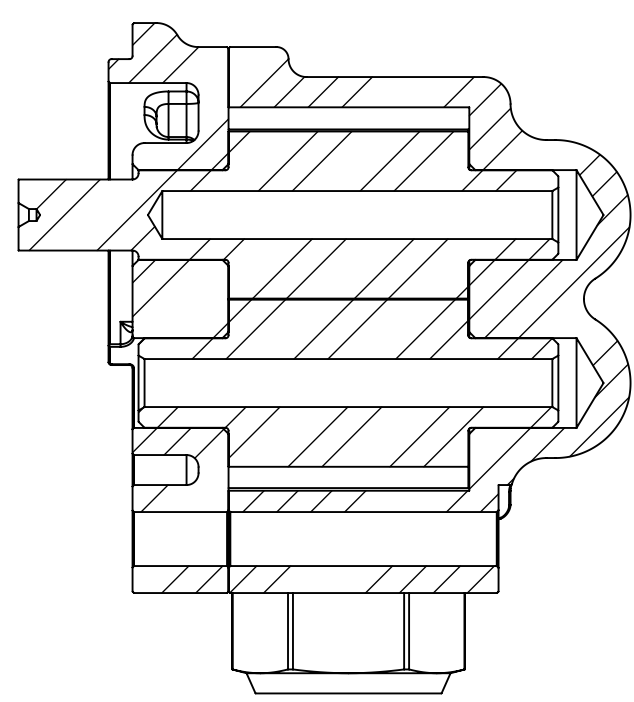
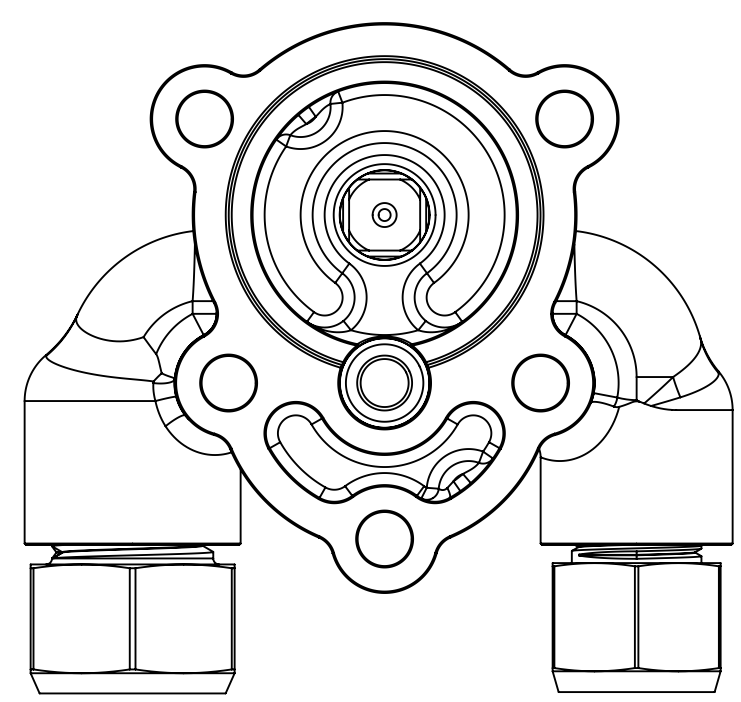
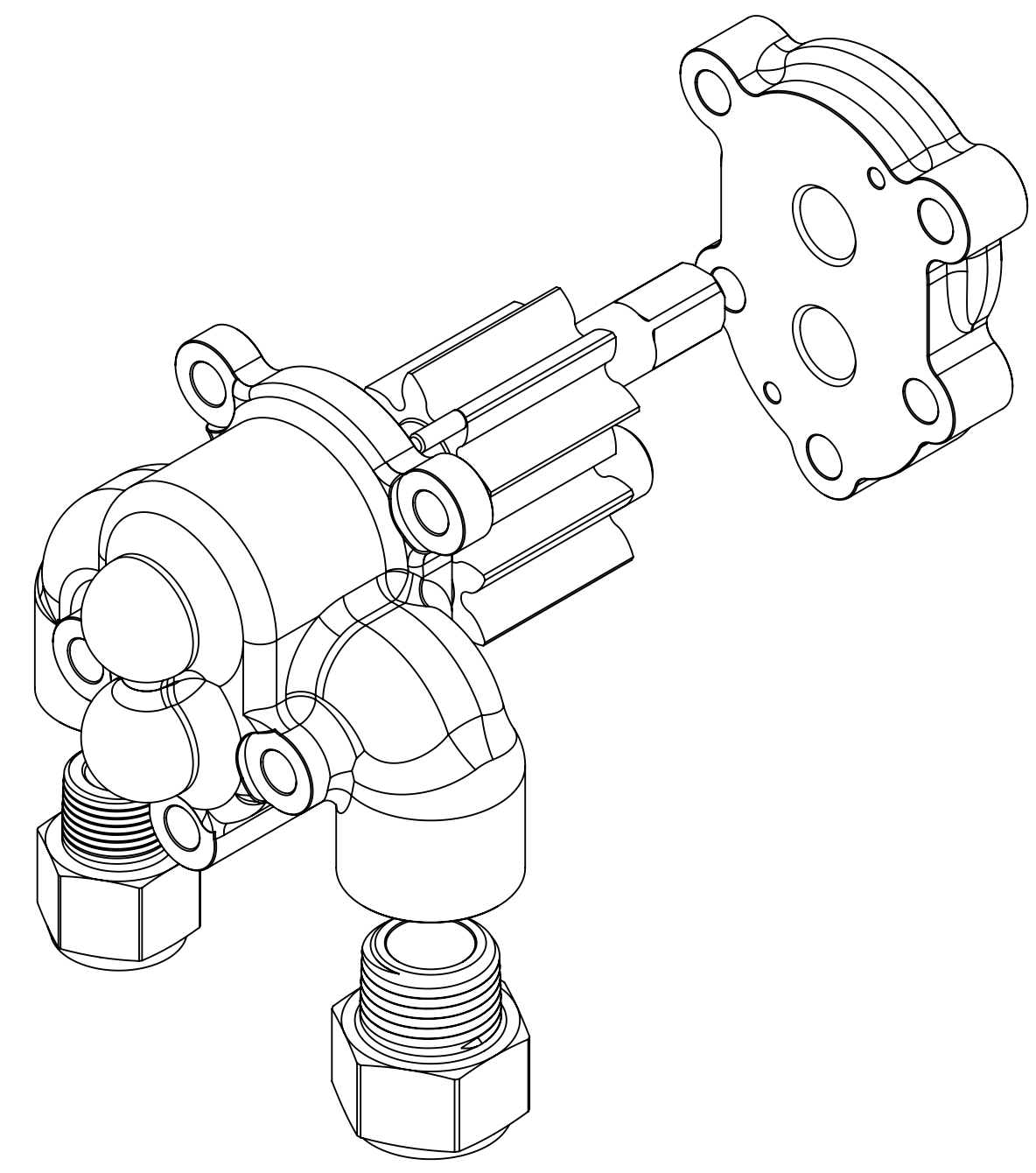
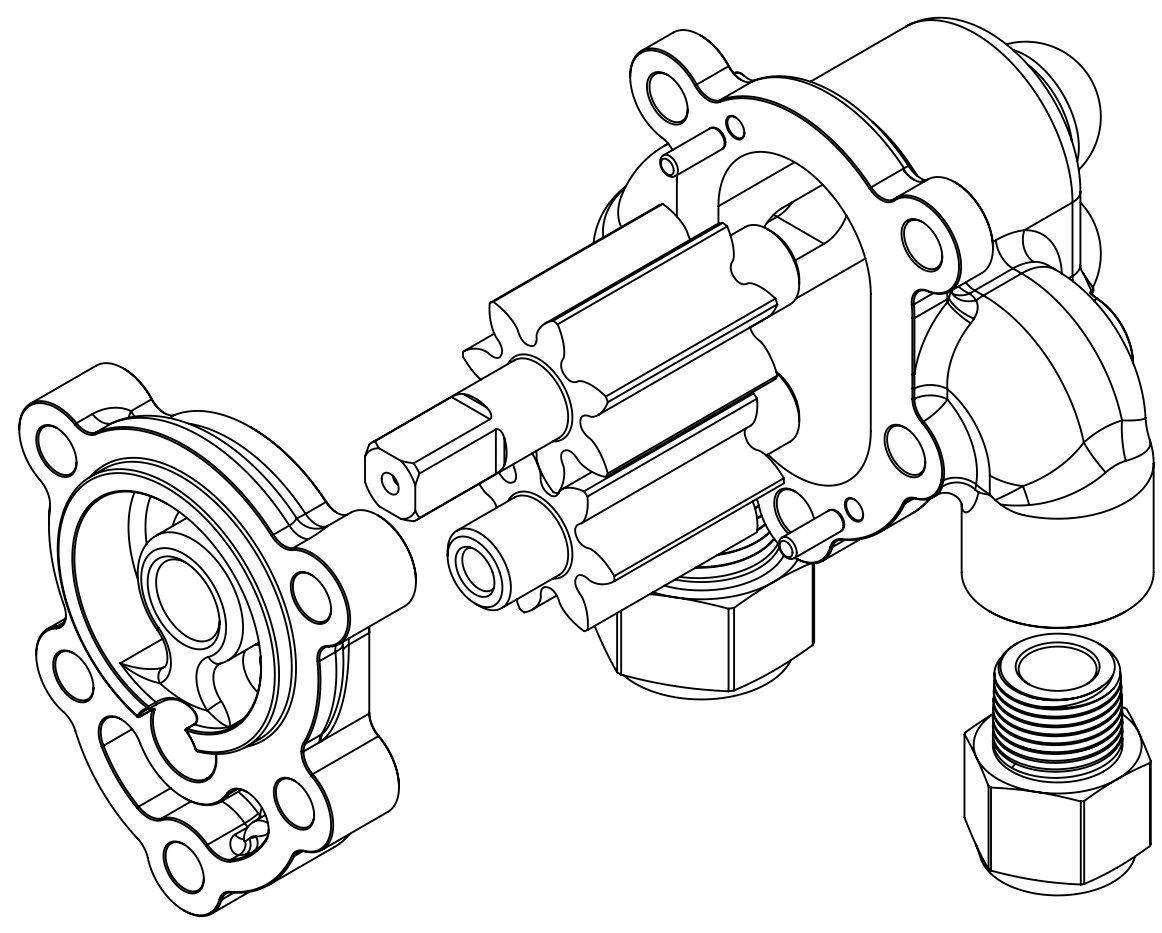
C

B

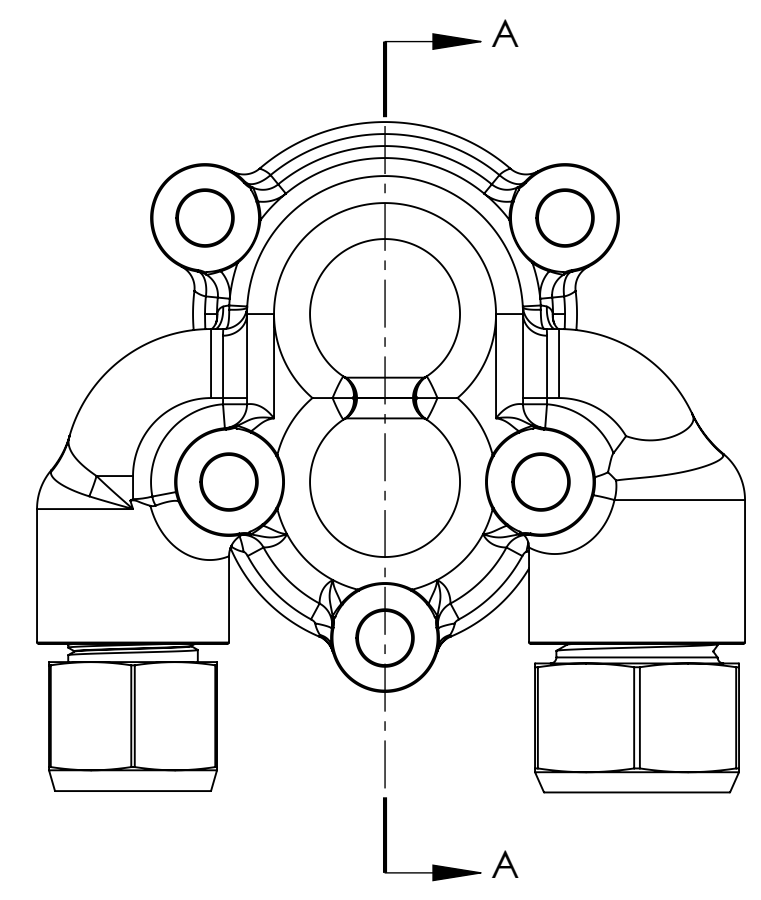
B

A

A



SECTION A-A



Wright L-320 Gipsy
 90472 Oil Pump Assy.
 J Riend 18may23

4

3

2

1