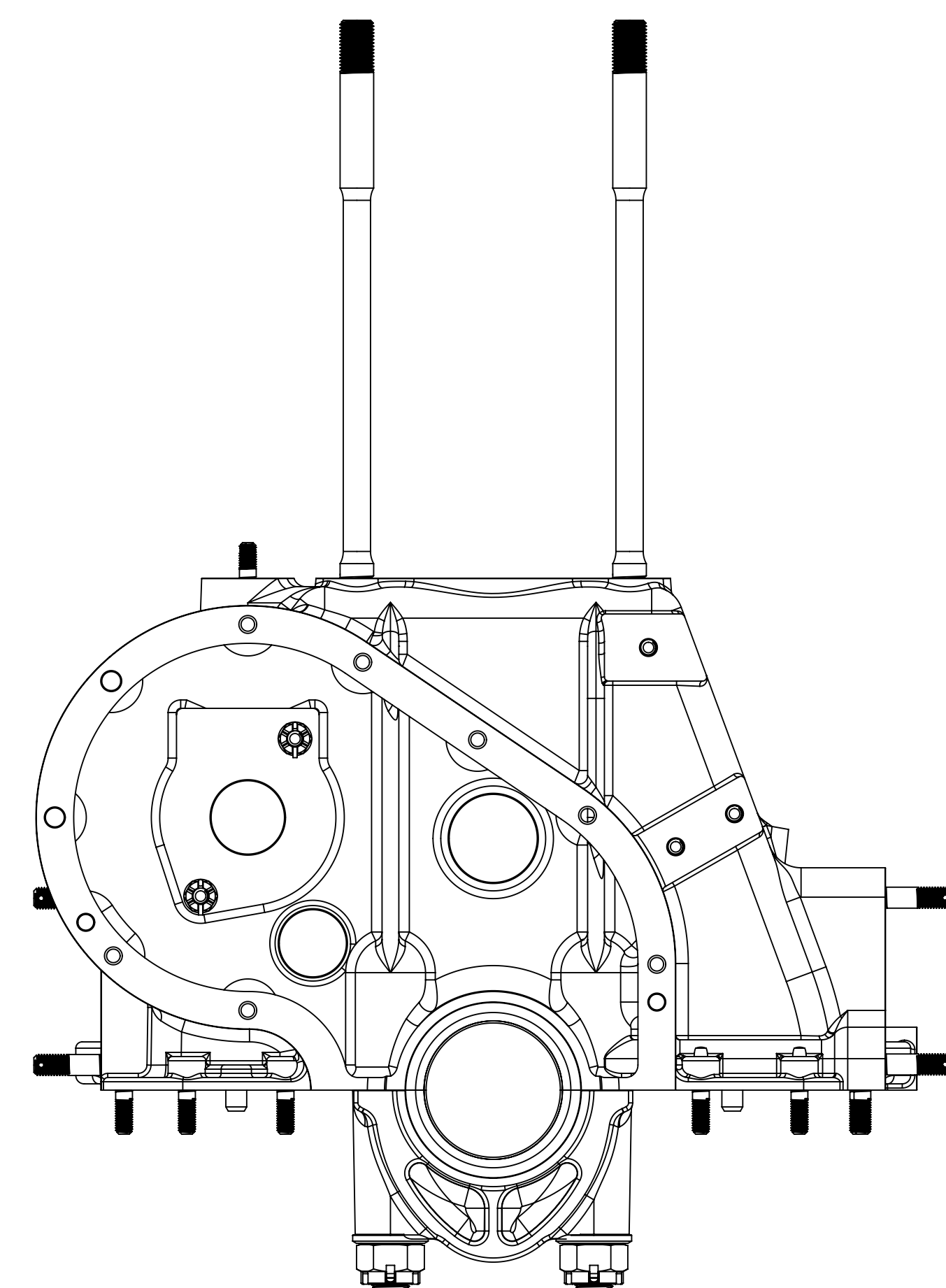
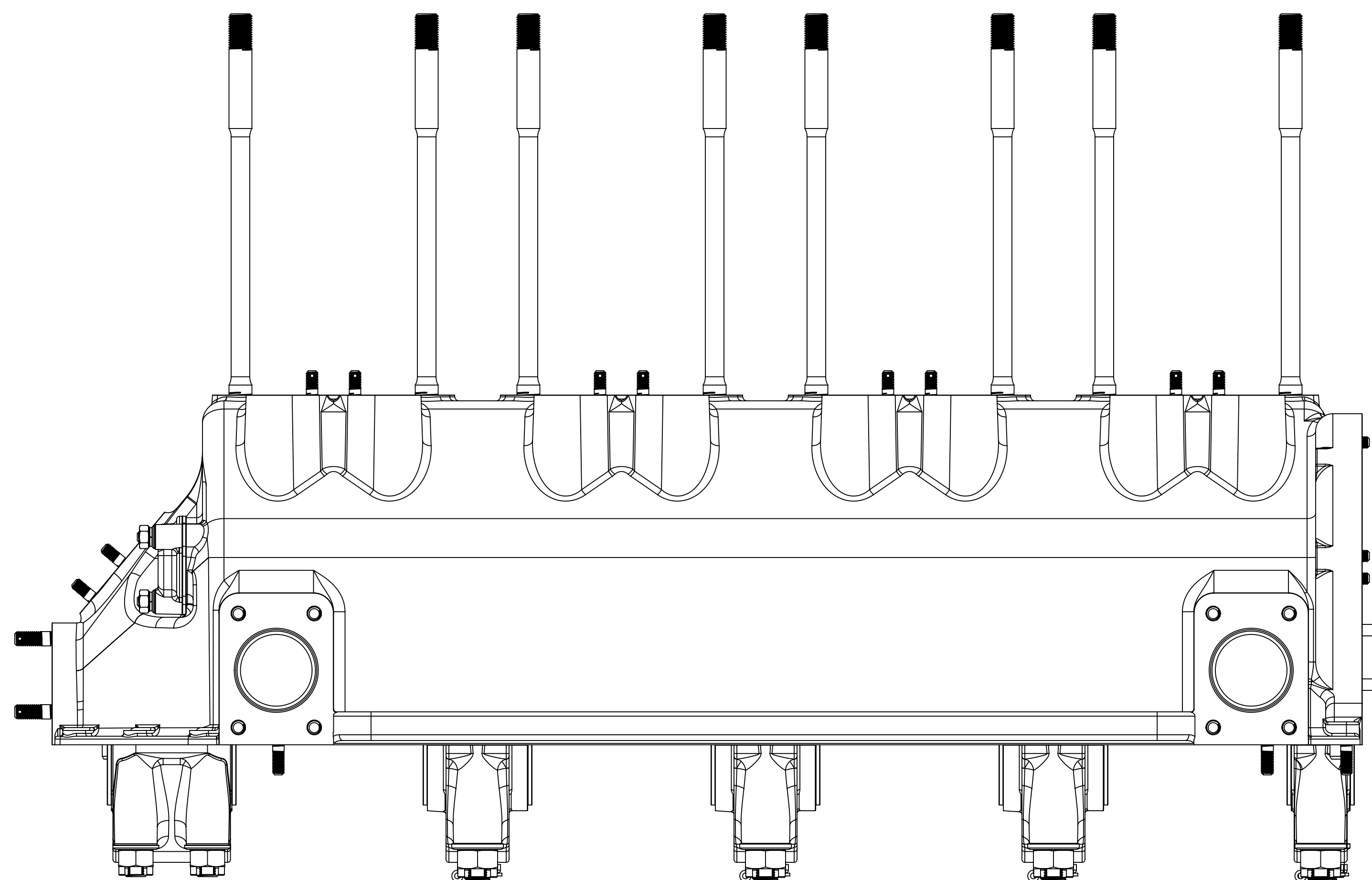
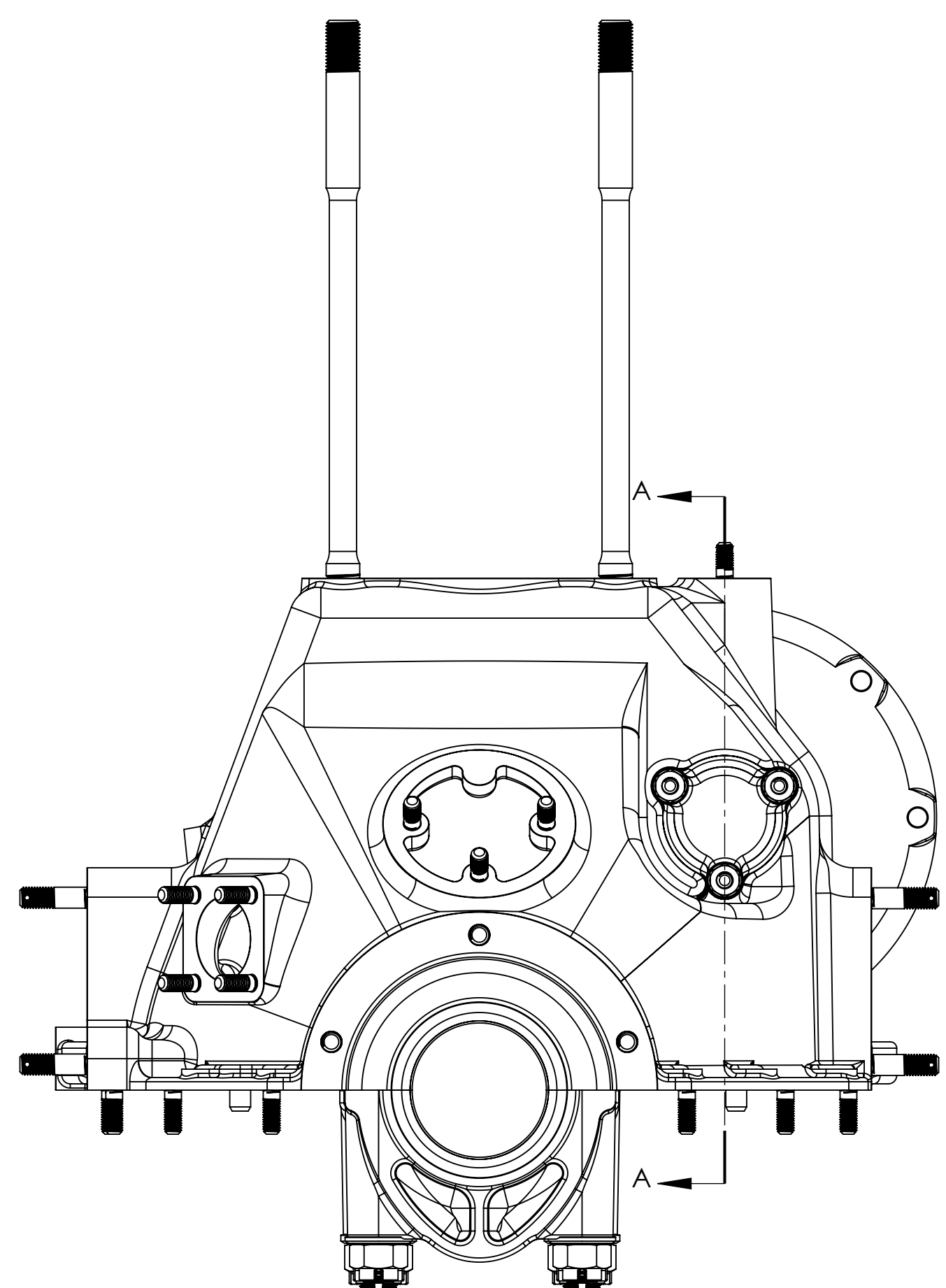


SECTION A-A  
SCALE 1:2



Wright L-320 Gipsy  
Crankcase Upper Section  
Studding Assy.  
J Riend 04jun23