

4

3

2

1

D

D

B

B

C

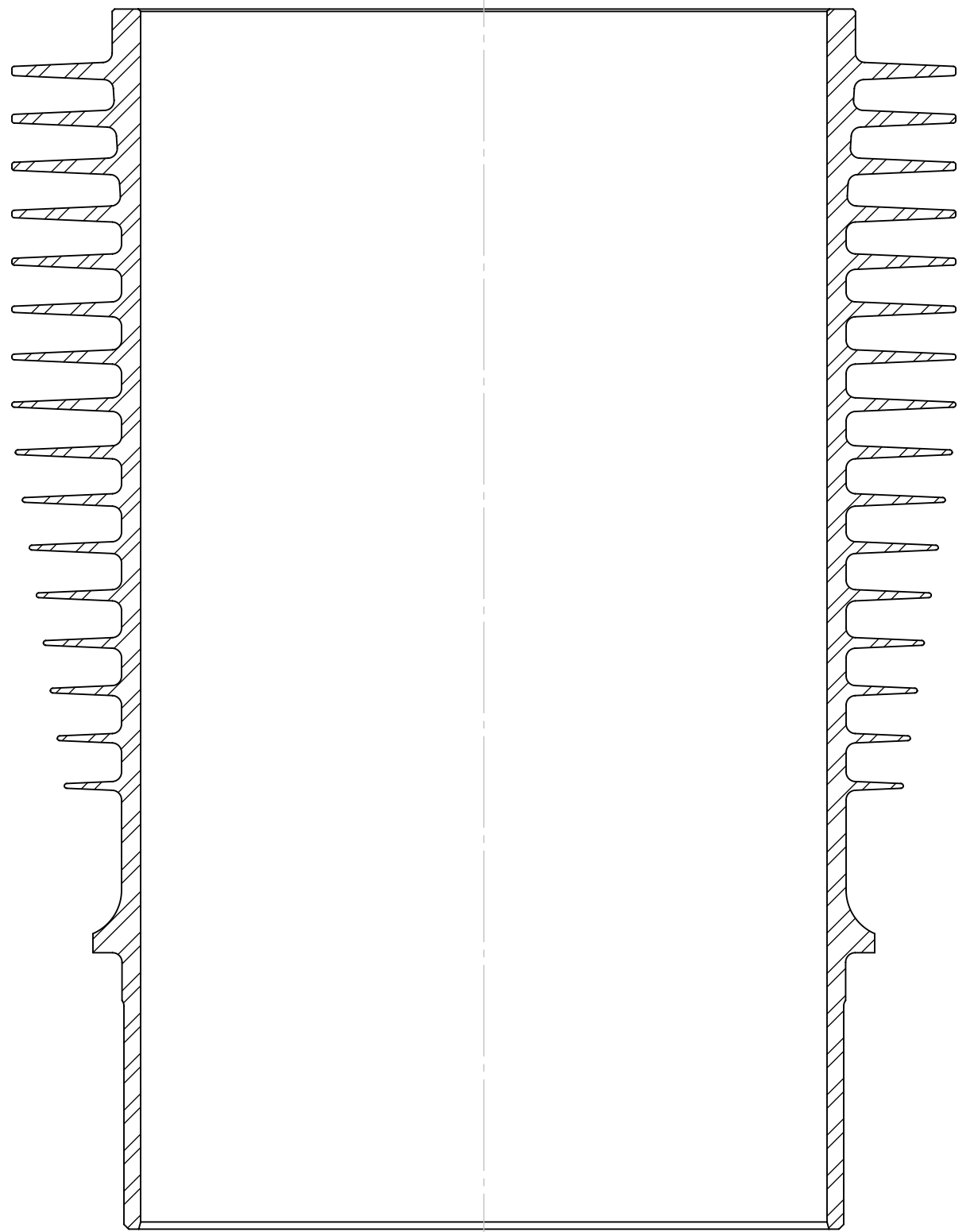
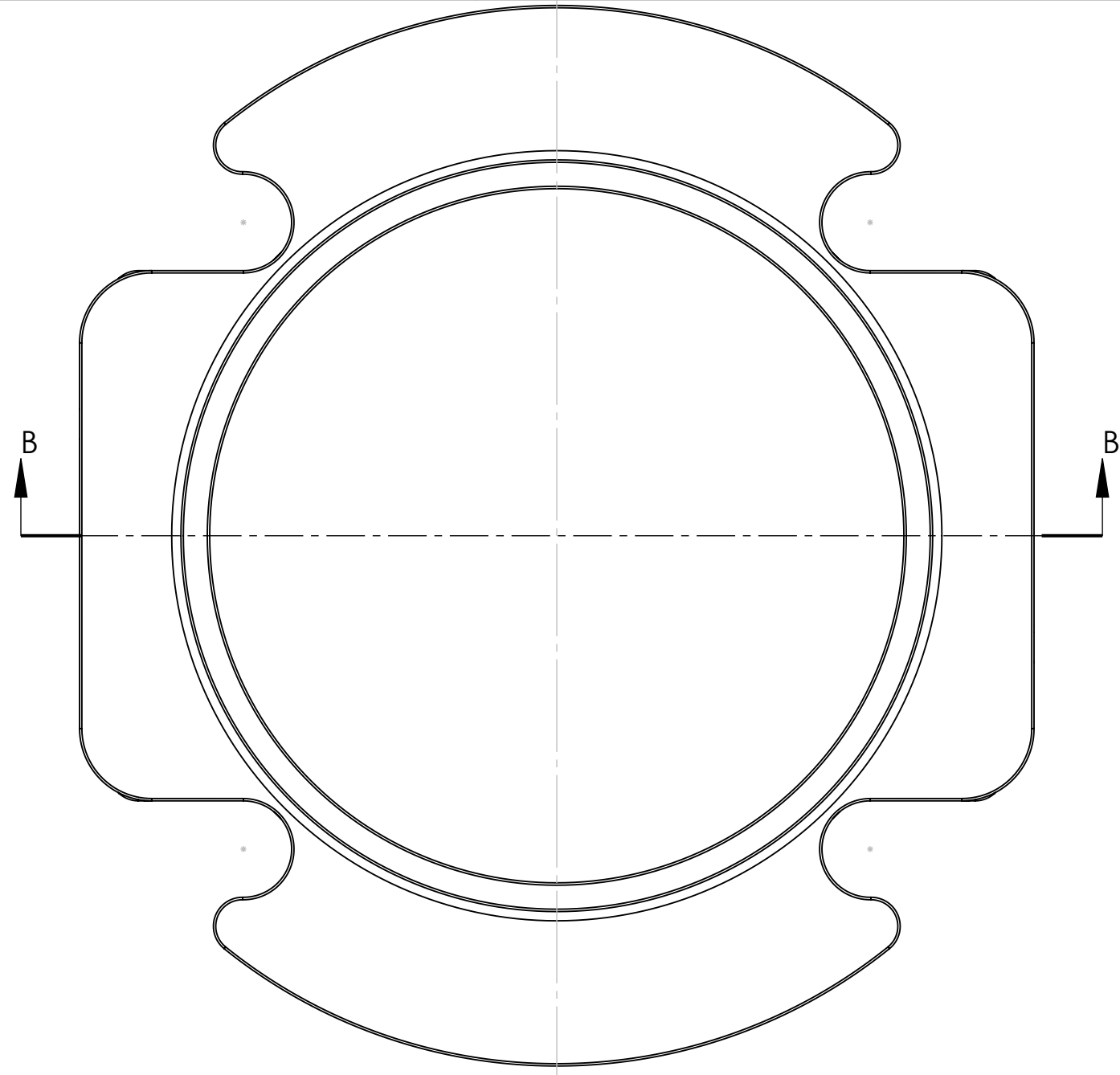
C

B

B

A

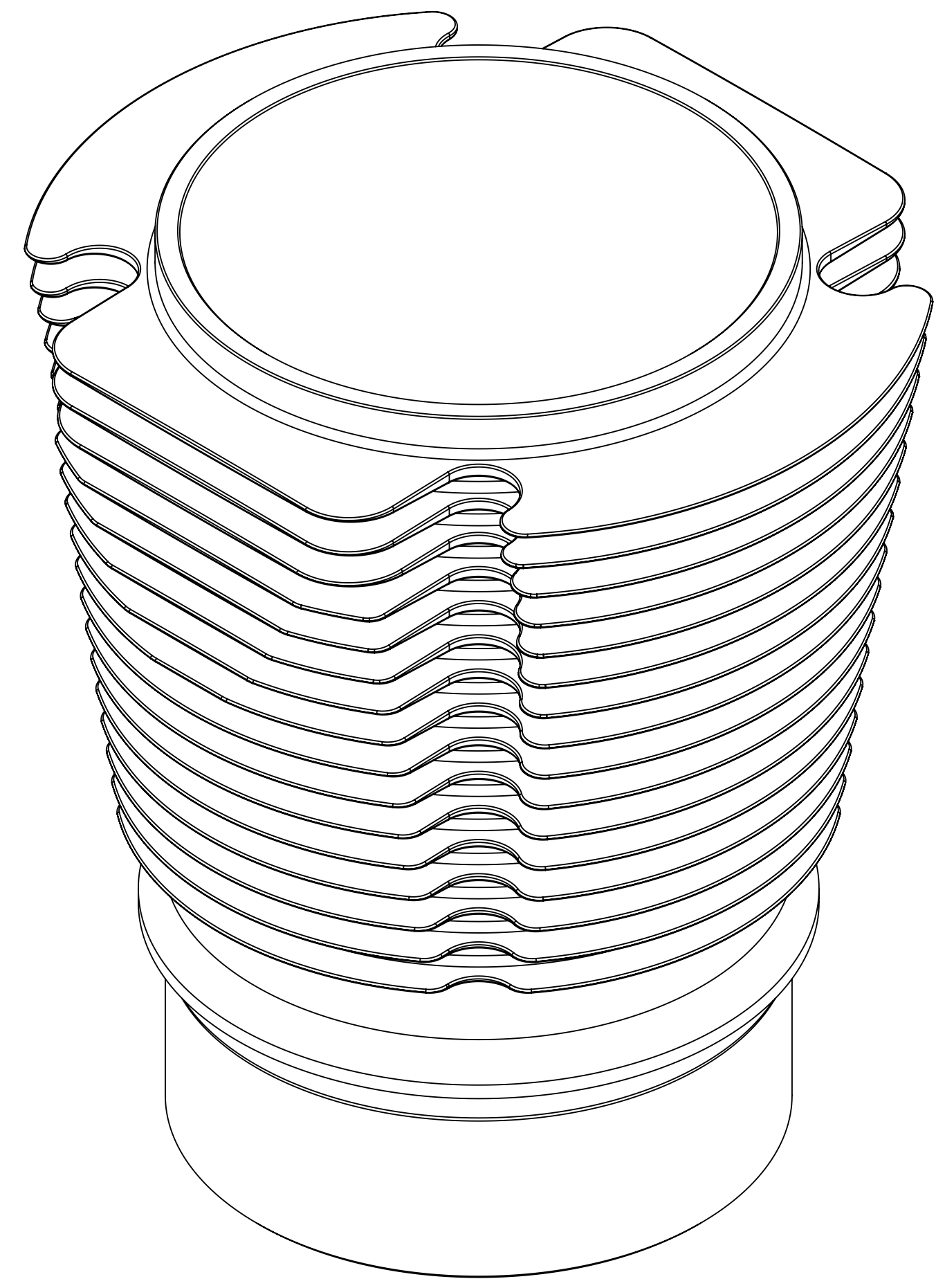
A



SECTION B-B

4

3



Wright L-320 Gipsy
 90005 Cylinder
 J Riend 17may23

2

1